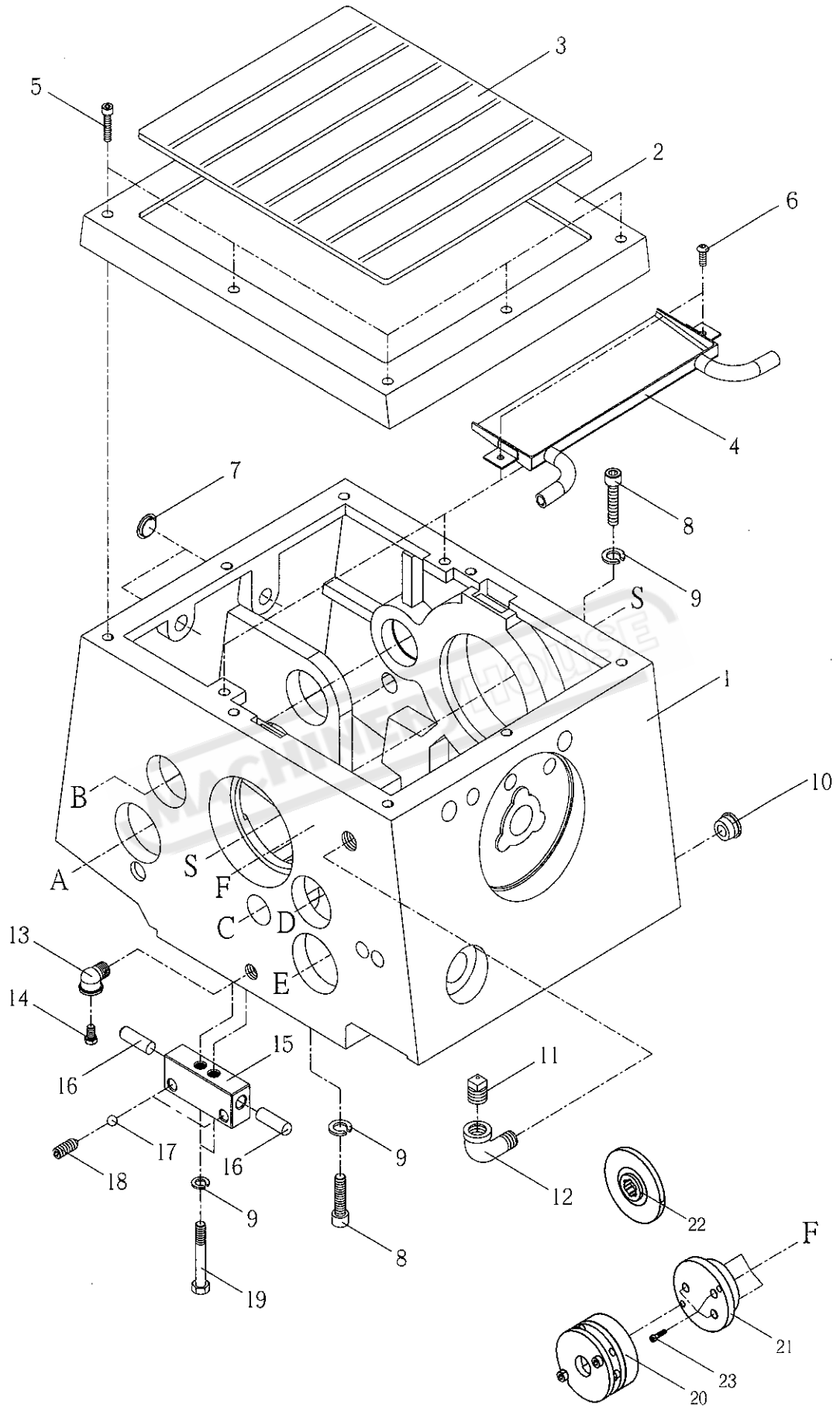


## SPARE PARTS INDEX

		<b>PAGE</b>
<b>1.</b>	<b>HEADSTOCK CASING</b>	<b>30</b>
<b>2.</b>	<b>HEADSTOCK DRIVE</b>	<b>32</b>
<b>3.</b>	<b>HEADSTOCK DRIVE (VARISPEED)</b>	<b>34</b>
<b>4.</b>	<b>HEADSTOCK DRIVEN</b>	<b>36</b>
<b>5.</b>	<b>HEADSTOCK CONTROLS</b>	<b>38</b>
<b>6.</b>	<b>HEADSTOCK CONTROLS (VARISPEED)</b>	<b>40</b>
<b>7.</b>	<b>HEADSTOCK CONTROLS</b>	<b>42</b>
<b>8.</b>	<b>HEADSTOCK CONTROLS (VARISPEED)</b>	<b>44</b>
<b>9.</b>	<b>GEARBOX CONTROLS</b>	<b>46</b>
<b>10.</b>	<b>GEARBOX GEARS &amp; SHAFTS</b>	<b>48</b>
<b>11.</b>	<b>GEARBOX COVER &amp; LEVERS</b>	<b>50</b>
<b>12.</b>	<b>APRON</b>	<b>52</b>
<b>13.</b>	<b>SADDLES ASSEMBLIES</b>	<b>54</b>
<b>14.</b>	<b>SADDLE LUBRICATION (OPTIONAL)</b>	<b>56</b>
<b>15.</b>	<b>CROSS &amp; TOP SLIDES</b>	<b>58</b>
<b>16.</b>	<b>TAILSTOCK ASSEMBLY</b>	<b>60</b>
<b>17.</b>	<b>BED ASSEMBLY</b>	<b>62</b>
<b>18.</b>	<b>PLINTH &amp; SHEET METAL</b>	<b>64</b>
<b>19.</b>	<b>BRAKE ASSEMBLY</b>	<b>66</b>
<b>20.</b>	<b>END GEARS TRAIN &amp; COVER</b>	<b>68</b>
<b>21.</b>	<b>THREADING DIALS</b>	<b>70</b>
<b>22.</b>	<b>STEADY REST (OPTIONAL)</b>	<b>72</b>
<b>23.</b>	<b>FOLLOW REST (OPTIONAL)</b>	<b>74</b>
<b>24.</b>	<b>COOLANT EQUIPMENT</b>	<b>76</b>
<b>25.</b>	<b>QUICK CHANGE TOOLPOST</b>	<b>78</b>
<b>26.</b>	<b>SERVICE TOOLS &amp; EQUIPMENT</b>	<b>80</b>
<b>27.</b>	<b>BEDSTOPS (OPTIONAL)</b>	<b>82</b>
<b>28.</b>	<b>TAPER TURNING ATTACHMENT (OPTIONAL)</b>	<b>84</b>
<b>29.</b>	<b>FOLLOWING CHIP GUARD (OPTIONAL)</b>	<b>86</b>
<b>30.</b>	<b>FULL LENGTH SLIDING CHIP SAFETY GUARD (OPTIONAL)</b>	<b>88</b>
<b>31.</b>	<b>CHUCK SAFETY GUARD (OPTIONAL)</b>	<b>90</b>
<b>32.</b>	<b>5C COLLECT ATTACHMENT (OPTIONAL)</b>	<b>92</b>

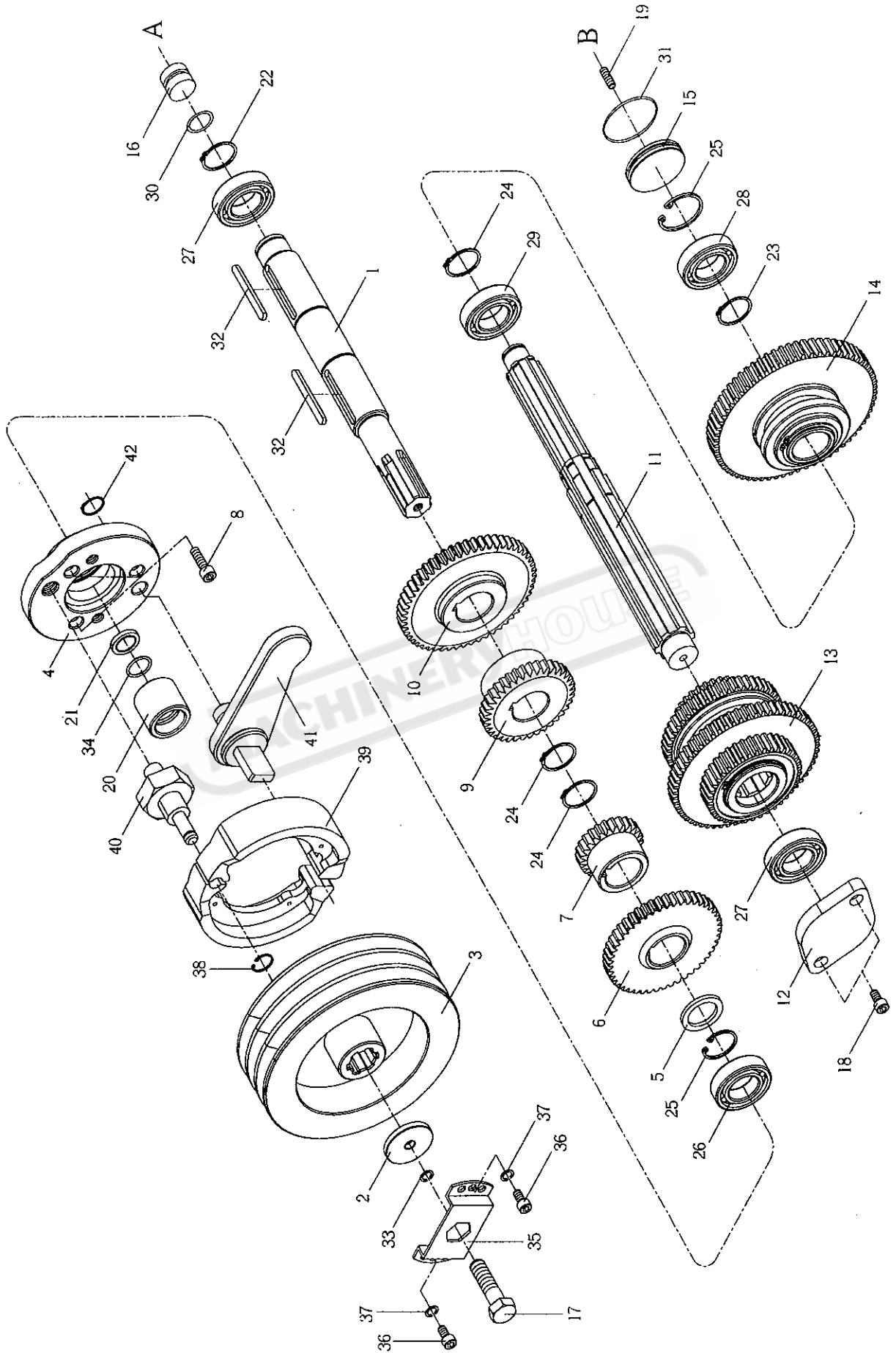
# HEADSTOCK CASING



## HEADSTOCK CASING

<u>NO.</u>	<u>PART NO.</u>	<u>DESCRIPTION</u>	<u>QUANTITY</u>
1.	T-1001	Headstock Casting	1
2.	T-1002	Headstock Cover	1
3.	T-1002-1	PVC Pad	1
4.	T-1003	Tray	1
5.	A-1208	Socket Head Cap Screw (M6 x 40)	8
6.	A-1510	Cross Recessed Head Screw (M6 x 12)	2
7.	A-4505	Plug	2
8.	A-1208	Socket Head Cap Screw (M10 x 40)	4
9.	A-1807	Spring Washer (ø10)	6
10.	A-9501	Oil Sight (ø29)	1
11.	A-0488	Plug (1/2PT)	1
12.	A-0489	Elbow (1/2PT)	1
13.	A-0578	Elbow (3/8PT)	1
14.	A-0507	Plug (3/8PT)	1
15.	T-1079	Set Over Pad	1
16.	C-1012	Pins	2
17.	A-9205	Steel Ball	2
18.	A-1112	Socket Headless Set Screw (M12 x 12)	2
19.	A-1441	Hexagon Head Screw (M10 x 40)	2
20.	FA-4001	Caliper Brake (with footbrake)(Optional)	1
	FA-4001	Caliper Brake (w/o footbrake) (Optional)	1
21.	M-1154	Brake Shoes (with footbrake) (Optional)	1
	M-1154	Brake Shoes (w/o footbrake) (Optional)	1
22.	M-1155	Brake Disk (w/o footbrake) (Optional)	1
	M-1155	Brake Disk (w/o footbrake only) (Optional)	1
23.	A-1258	Socket Head Cap Screw (M5x35)	3/6
19.	A-1441	Hexagon Head Screw (M10 x 40)	2
20.	FA-4001	Caliper Brake (with footbrake)(Optional)	1
	FA-4001	Caliper Brake (w/o footbrake) (Optional)	1
21.	M-1154	Brake Shoes (with footbrake) (Optional)	1
	M-1154	Brake Shoes (w/o footbrake) (Optional)	1
22.	M-1155	Brake Disk (w/o footbrake) (Optional)	1
	M-1155	Brake Disk (w/o footbrake only) (Optional)	1
23.	A-1258	Socket Head Cap Screw (M5x35)	3/6

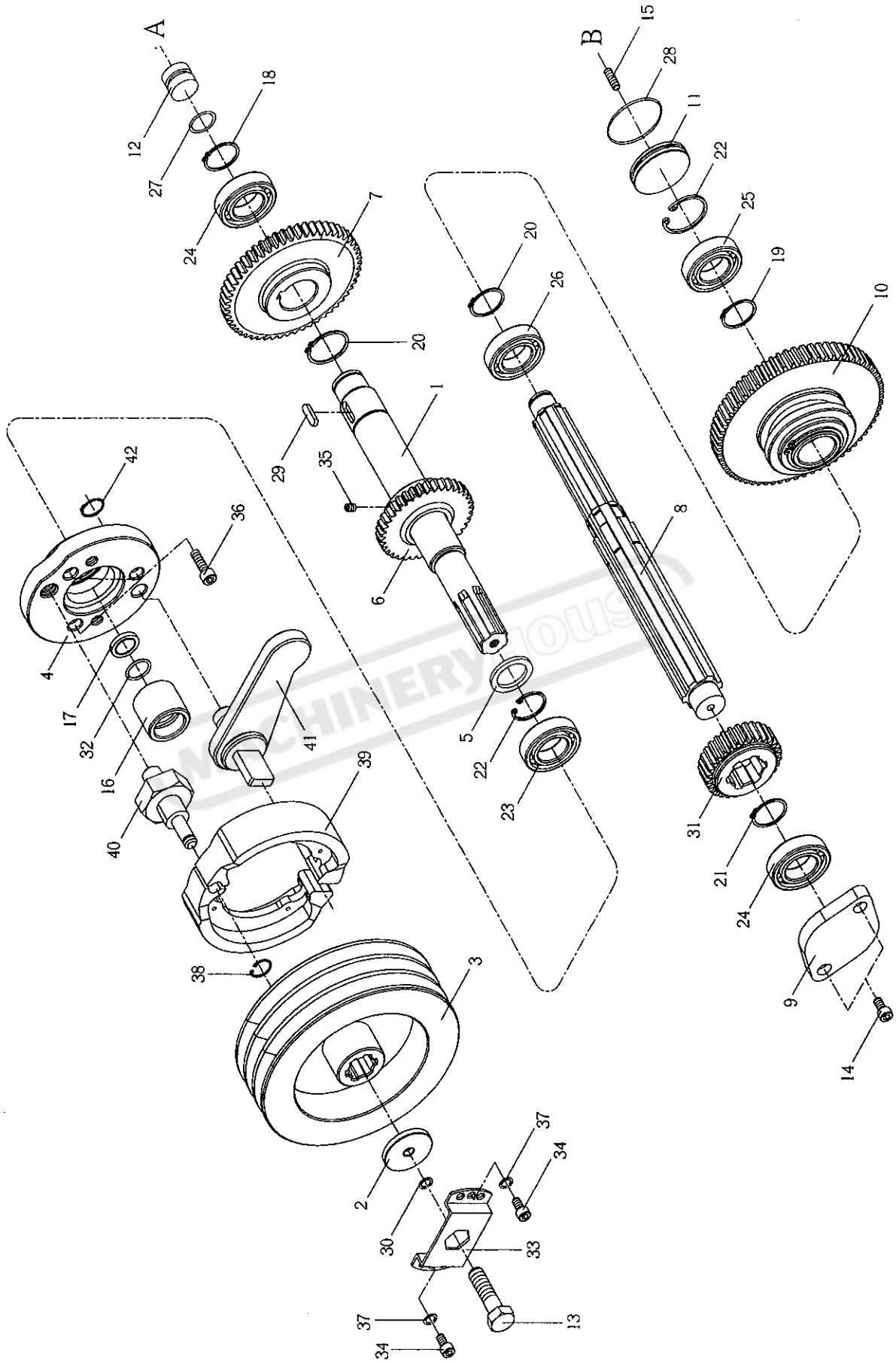
# HEADSTOCK DRIVE



## HEADSTOCK DRIVE

<u>NO.</u>	<u>PART NO.</u>	<u>DESCRIPTION</u>	<u>QUANTITY</u>	<u>NO.</u>	<u>PART NO.</u>	<u>DESCRIPTION</u>	<u>QUANTITY</u>
1.	T-1004-1	Shaft (A)	1	36.	A-1202	Socket Head Cap Screw (M6 x 12)	2
2.	T-1005	Washer	1	37.	A-1812	Spring Washer (Φ6)	2
3.	T-1006-1	Pulley	1	38.	A-3102	Circlip (E8)	1
4.	T-1007-1	Bearing Cap	1	39.	A-9800	Brake Shoe Assembly	1
5.	C-2041	Washer	1	40.	T-1016	Stud	1
6.	T-1009	Gear 47T	1	41.	T-1015	Brake Shoes Controller	1
7.	T-1010	Gear 25T	1	42.	A-3322	Circlip (S12)	1
8.	A-1204	Socket Head Cap Screw (M6 x 20)	3				
9.	T-1012	Gear 37T	1				
10.	T-1013	Gear 55T	1				
11.	T-1018	Shaft (B)	1				
12.	T-1019	Cover	1				
13.	T-1020	Gear 38/60/48/30T	1				
14.	T-1021	Gear 66/22T	1				
15.	T-1022	Cover	1				
16.	R-1003	Plug	1				
17.	A-1431	Hexagon Bolt (M12 x 25)	1				
18.	A-1203	Socket Head Cap Screw (M6 x 16)	2				
19.	A-1106	Socket Headless Set Screw (M8 x 8)	1				
20.	T-1014	Collars	1				
21.	A-5010	Oil Seal (35 x 50 x 7)	1				
22.	A-3309	Circlip (S25)	1				
23.	A-3310	Circlip (S28)	1				
24.	A-3312	Circlip (S30)	3				
25.	A-3204	Circlip (R47)	2				
26.	A-2042	Bearing #6005	1				
27.	A-2043	Bearing #6205	2				
28.	A-2034	Bearing #6204	1				
29.	A-2029	Bearing #6006	1				
30.	A-6030	O-Ring (P16)	1				
31.	A-6025	O-Ring (P41)	1				
32.	A-7218	Key (6 x 55)	2				
33.	A-1802	Spring Washer	1				
34.	A-6013	O-Ring (P25)	1				
35.	J-1024	Clamp	1				

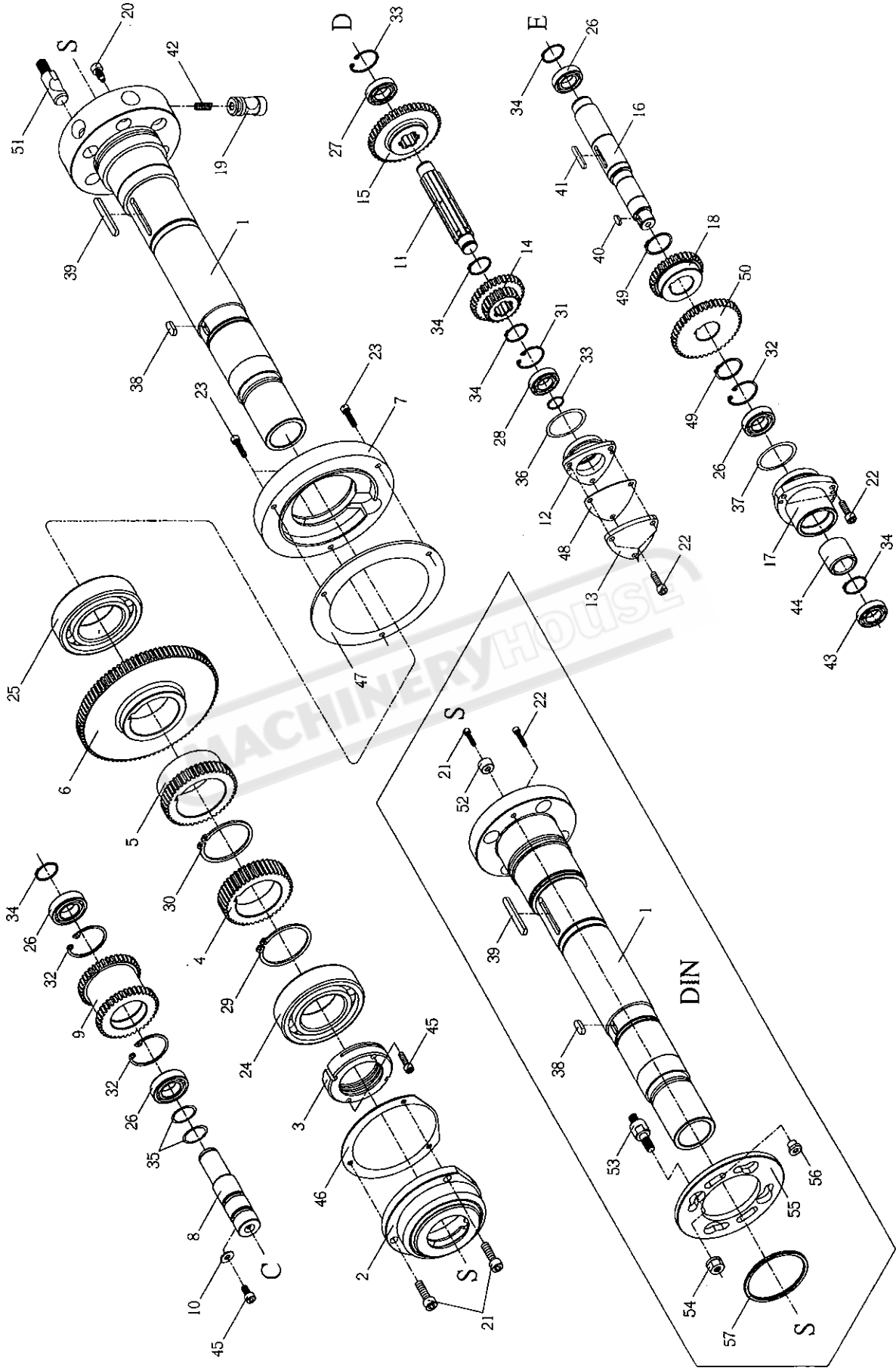
# HEADSTOCK DRIVE (VARISPEED)



## HEADSTOCK DRIVE (VARISPEED)

<u>NO.</u>	<u>PART NO.</u>	<u>DESCRIPTION</u>	<u>QUANTITY</u>	<u>NO.</u>	<u>PART NO.</u>	<u>DESCRIPTION</u>	<u>QUANTITY</u>
1.	T-1004	Shaft (A)	1	36.	A-1204	Socket Head Cap Screw (M6 x 20)	3
2.	T-1005	Washer	1	37.	A-1812	Spring Washer (Φ6)	2
3.	T-1006-1	Pulley	1	38.	A-3102	Circlip (E8)	1
4.	T-1007-1	Bearing Cap	1	39.	A-9800	Brake Shoe Assembly	1
5.	C-2041	Washer	1	40.	T-1016	Stud	1
6.	T-1009-1	Gear 37T	1	41.	T-1015	Brake Shoes Controller	1
7.	T-1013	Gear 55T	1	42.	A-3322	Circlip (S12)	1
8.	T-1018	Shaft (B)	1				
9.	T-1019	Cover	1				
10.	T-1021	Gear (66/22T)	1				
11.	T-1022	Cover	1				
12.	R-1003	Plug	1				
13.	A-1431	Hexagon Bolt (M12 x 25)	1				
14.	A-1203	Socket Head Cap Screw (M6 x 16)	2				
15.	A-1106	Socket Headless Set Screw (M8 x 8)	1				
16.	T-1014	Collars	1				
17.	A-5010	Oil Seal (35 x 50 x 7)	1				
18.	A-3309	Circlip (S25)	1				
19.	A-3310	Circlip (S28)	1				
20.	A-3312	Circlip (S30)	2				
21.	A-3328	Circlip (S40)	1				
22.	A-3204	Circlip (R47)	2				
23.	A-2042	Bearing #6005	1				
24.	A-2043	Bearing #6205	2				
25.	A-2034	Bearing #6204	1				
26.	A-2029	Bearing #6006	1				
27.	A-6030	O-Ring (P16)	1				
28.	A-6025	O-Ring (P41)	1				
29.	A-7214	Key (6 x 20)	1				
30.	A-1802	Spring Washer (Φ8)	1				
31.	T-1020-5	Gear (30T)	1				
32.	A-6013	O-Ring (P25)	1				
33.	J-1024	Clamp	1				
34.	A-1239	Socket Head Cap Screw (M5 x 15)	2				
35.	A-1101	Socket Headless Set Screw (M6 x 10)	1				

# HEADSTOCK DRIVEN

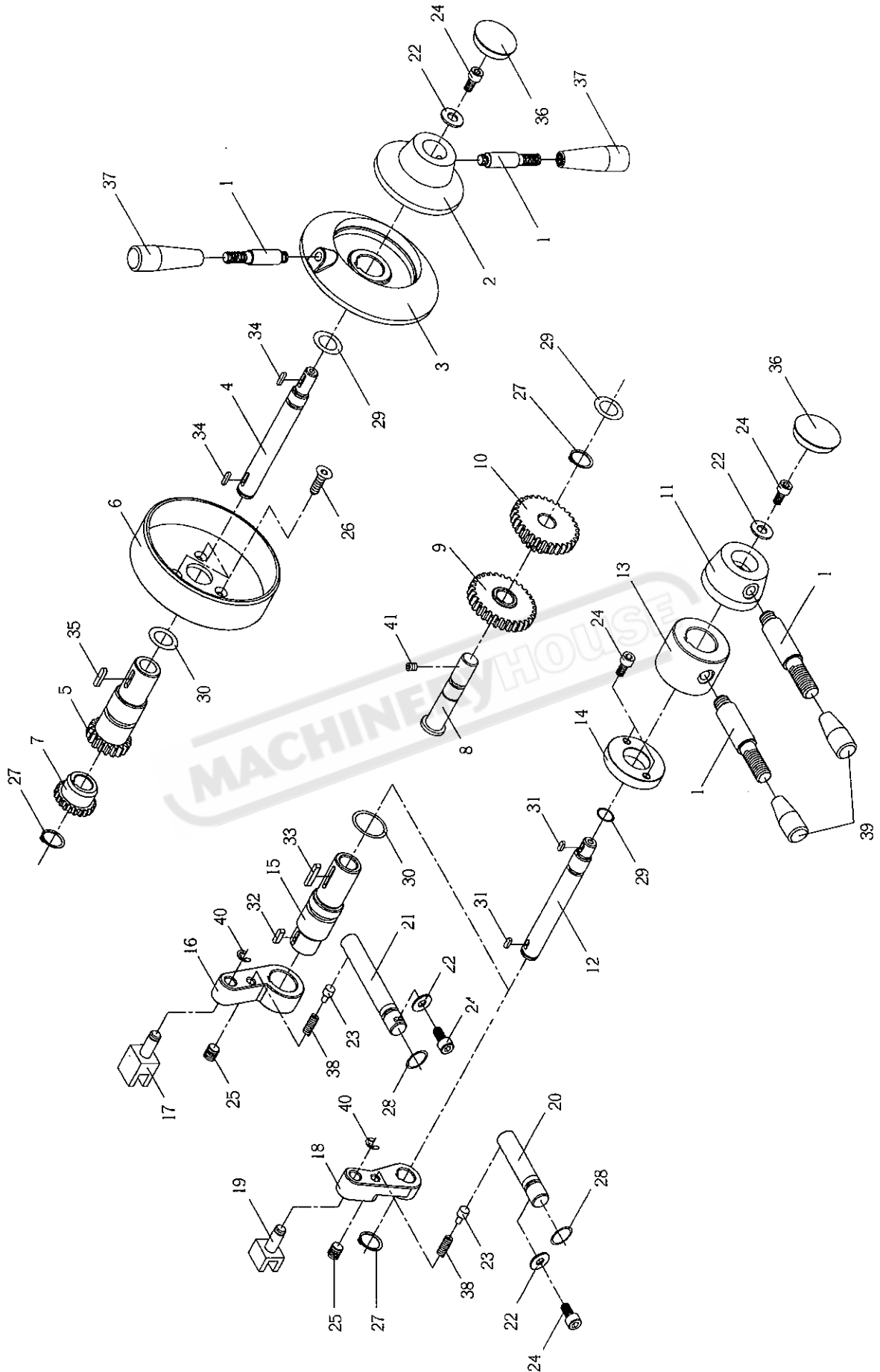




## HEADSTOCK DRIVEN

<u>NO.</u>	<u>PART NO.</u>	<u>DESCRIPTION</u>	<u>QUANTITY</u>	<u>NO.</u>	<u>PART NO.</u>	<u>DESCRIPTION</u>	<u>QUANTITY</u>
1.	T-1025	Main Spindle (S)	1	36.	A-6019	O-Ring (P46)	1
	T-1025-2	DIN Main Spindle (S)	1	37.	A-6021	O-Ring (G55)	1
2.	T-1026	Cover	1	38.	A-7221	Key (8 x 20)	1
3.	T-1027	Thrust Nut	1	39.	A-7223	Key (8 x 60)	1
4.	T-1028	Gear 44T	1	40.	A-7213	Key (6 x 15)	1
5.	T-1029	Gear 46T	1				
				41.	A-7216	Key (6 x 35)	1
6.	T-1030	Gear (90T)	1	42.	A-8503	Spring	6
7.	T-1031	Bearing Cap	1	43.	A-5015	Oil Seal (TC25 x 40 x 10)	1
8.	T-1033	Shaft (C)	1	44.	T-1046	Bush	1
9.	T-1034	Gear 38/38T	1	45.	A-1202	Socket Head Cap Screw (M6 x 12)	3
10.	R-1030	Washer	1				
				46.	T-1026-1	Gasket	1
11.	T-1037	Shaft (D)	1	47.	T-1031-1	Gasket	1
12.	T-1038	Bearing Cap	1	48.	T-1039-1	Gasket	1
13.	T-1039	Cover	1	49.	A-3312	Ciriclip (S30)	2
14.	T-1040	Gear 22/33T	1	50.	T-1045B	Gear 44T	1
15.	T-1041	Gear 44T	1				
				51.	T-9002	Camlock Stud	6
16.	T-1043	Shaft (E)	1				
17.	T-1044	Bearing Cap	1				
18.	T-1045A	Gear 33T	1				
19.	T-9003	Camlock	6				
20.	T-9004	Cam Screw	6				
21.	A-1203	Socket Head Cap Screw (M6 x 16)	4				
22.	A-1204	Socket Head Cap Screw (M6 x 20)	8				
23.	A-1206	Socket Head Cap Screw (M6 x 30)	3				
24.	A-2045	Bearing #32212	1				
25.	A-2019	Bearing #32215	1				
26.	A-2042	Bearing #6005	4				
27.	A-2034	Bearing #6204	1				
28.	A-2026	Bearing #6004	1				
29.	A-3325	Ciriclip (S60)	1				
30.	A-3326	Ciriclip (S65)	1				
31.	A-3203	Ciriclip (R42)	1				
32.	A-3204	Ciriclip (R47)	3				
33.	A-3306	Ciriclip (S20)	2				
34.	A-3309	Ciriclip (S25)	5				
35.	A-6012	O-Ring (P24)	2				

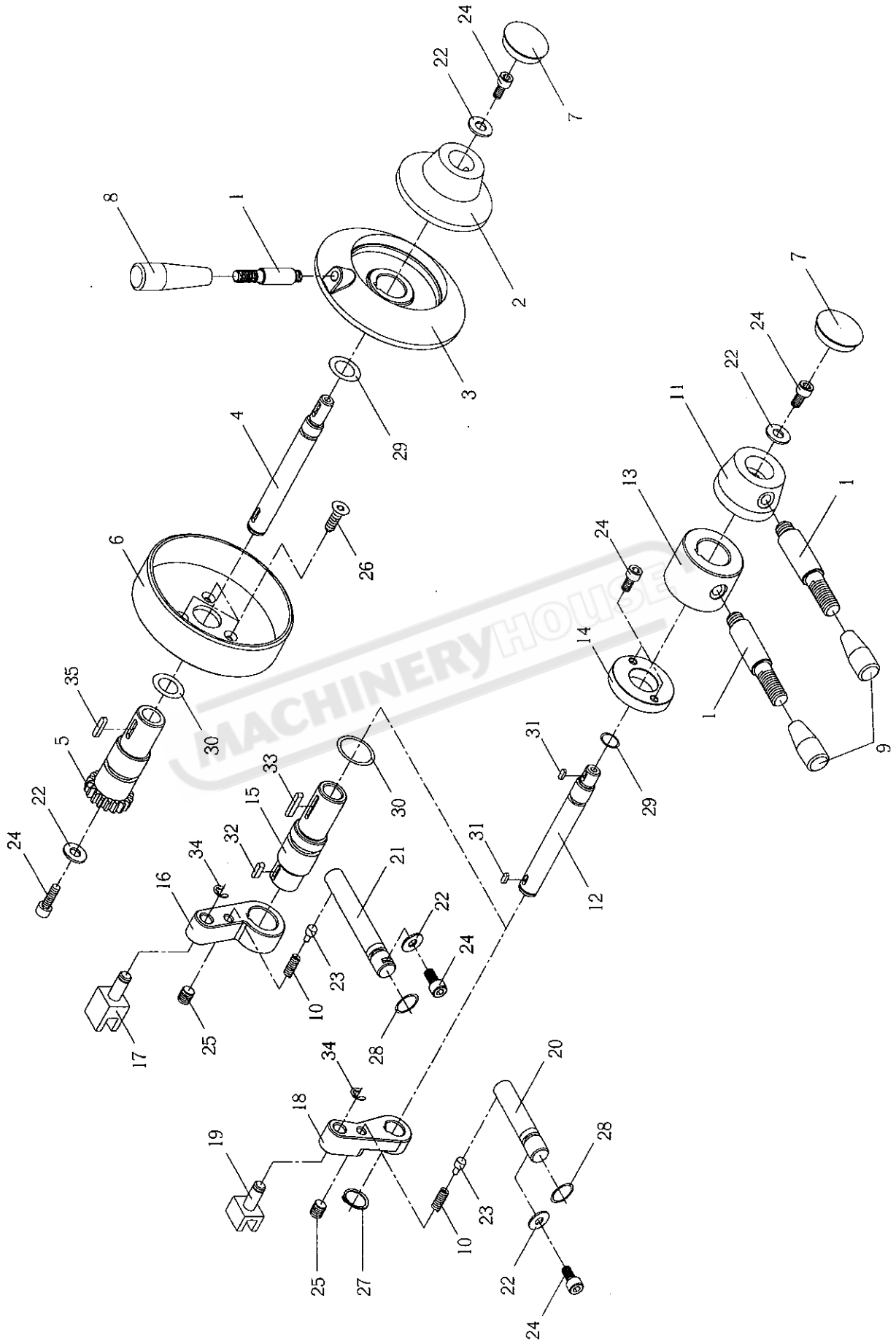
# HEADSTOCK CONTROLS



## HEADSTOCK CONTROLS

<u>NO.</u>	<u>PART NO.</u>	<u>DESCRIPTION</u>	<u>QUANTITY</u>	<u>NO.</u>	<u>PART NO.</u>	<u>DESCRIPTION</u>	<u>QUANTITY</u>
1.	C-1087-3	Control Lever	4	36.	C-2075	Plug	2
2.	T-1048	Speed Selector	1	37.	A-9100	PVC Handle	2
3.	T-1050	Range Selector	1	38.	A-8565	Spring (S01-03-14)	2
4.	T-1049	Shaft	1	39.	A-9110	PVC Handle	2
5.	T-1051	Control Pinion 18T	1	40.	A-3103	Circlip (E10)	2
6.	T-1052	Housing	1	41.	A-1169	Socket Headless Set Screw (M8 x 10)	1
7.	T-1053	Control Gear 18T	1				
8.	T-1054	Shaft	1				
9.	T-1055	Gear 30T	1				
10.	T-1056	Gear 15/30T	1				
11.	T-1067	Feed Change Boss	1				
12.	T-1068	Shaft	1				
13.	T-1069	Feed Change Boss	1				
14.	T-1070	Collar	1				
15.	T-1071	Shaft	1				
16.	T-1072	Shift Lever	1				
17.	T-1073	Fork	1				
18.	T-1074	Shift Lever	1				
19.	T-1075	Fork	1				
20.	T-1076	Dentate Bar	1				
21.	T-1077	Dentate Bar	1				
22.	R-1030	Washer	4				
23.	C-1091	Detent	2				
24.	A-1202	Socket Head Cap Screw (M6 x 12)	6				
25.	A-1106	Socket Headless Set Screw (M8 x 8)	2				
26.	A-1509	Flat Head Cap Screw (M5 x 10)	3				
27.	A-3302	Circlip (S16)	3				
28.	A-6002	O-Ring (P10)	2				
29.	A-6004	O-Ring (P12)	3				
30.	A-6013	O-Ring (P25)	2				
31.	A-7201	Key (4 x 10)	2				
32.	A-7202	Key (4 x 15)	1				
33.	A-7203	Key (4 x 25)	1				
34.	A-7205	Key (5 x 15)	2				
35.	A-7206	Key (5 x 20)	1				

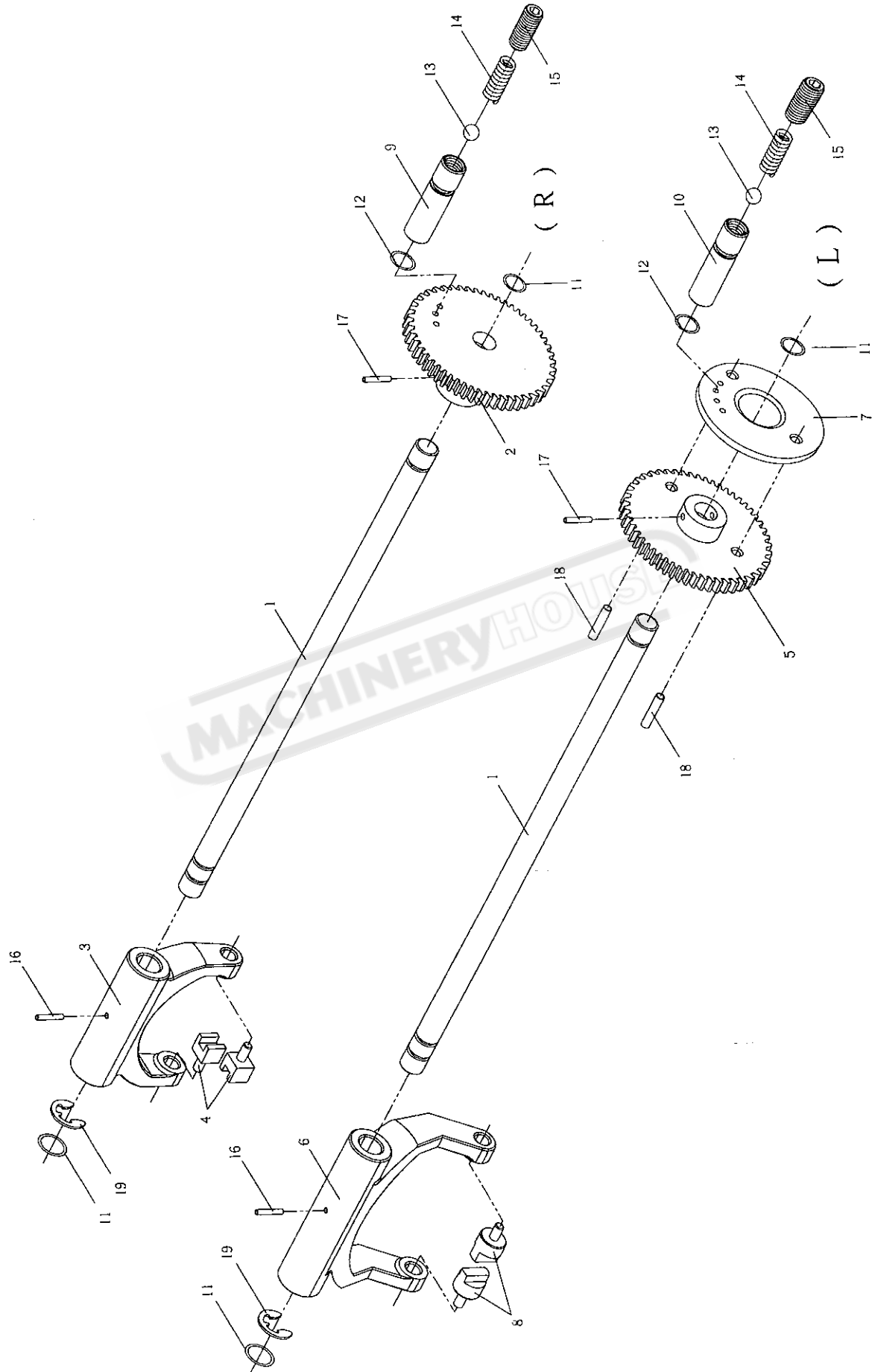
# HEADSTOCK CONTROLS (VARISPEED)



## HEADSTOCK CONTROLS (VARISPEED)

<u>NO.</u>	<u>PART NO.</u>	<u>DESCRIPTION</u>	<u>QUANTITY</u>
1.	T-1047	Control Lever	3
2.	T-1048	Speed Selector	1
3.	T-1050	Range Selector	1
4.	T-1049	Shaft	1
5.	T-1051	Control Pinion 18T	1
6.	T-1052	Housing	1
7.	C-2075	Plug	2
8.	A-9100	PVC Handle	1
9.	A-9110	PVC Handle	2
10.	A-8565	Spring (S01-03-14)	2
11.	T-1067	Feed Change Boss	1
12.	T-1068	Shaft	1
13.	T-1069	Feed Change Boss	1
14.	T-1070	Collar	1
15.	T-1071	Shaft	1
16.	T-1072	Shift Lever	1
17.	T-1073	Fork	1
18.	T-1074	Shift Lever	1
19.	T-1075	Fork	1
20.	T-1076	Dentate Bar	1
21.	T-1077	Dentate Bar	1
22.	R-1030	Washer	5
23.	C-1091	Detent	2
24.	A-1202	Socket Head Cap Screw (M6 x 12)	7
25.	A-1106	Socket Headless Set Screw (M8 x 8)	2
26.	A-1509	Flat Head Cap Screw (M5 x 10)	3
27.	A-3302	Circlip (S16)	1
28.	A-6002	O-Ring (P10)	2
29.	A-6004	O-Ring (P12)	2
30.	A-6013	O-Ring (P25)	2
31.	A-7201	Key (4 x 10)	2
32.	A-7202	Key (4 x 15)	1
33.	A-7203	Key (4 x 25)	1
34.	A-3103	Circlip (E10)	2
35.	A-7206	Key (5 x 20)	1

# HEADSTOCK CONTROLS

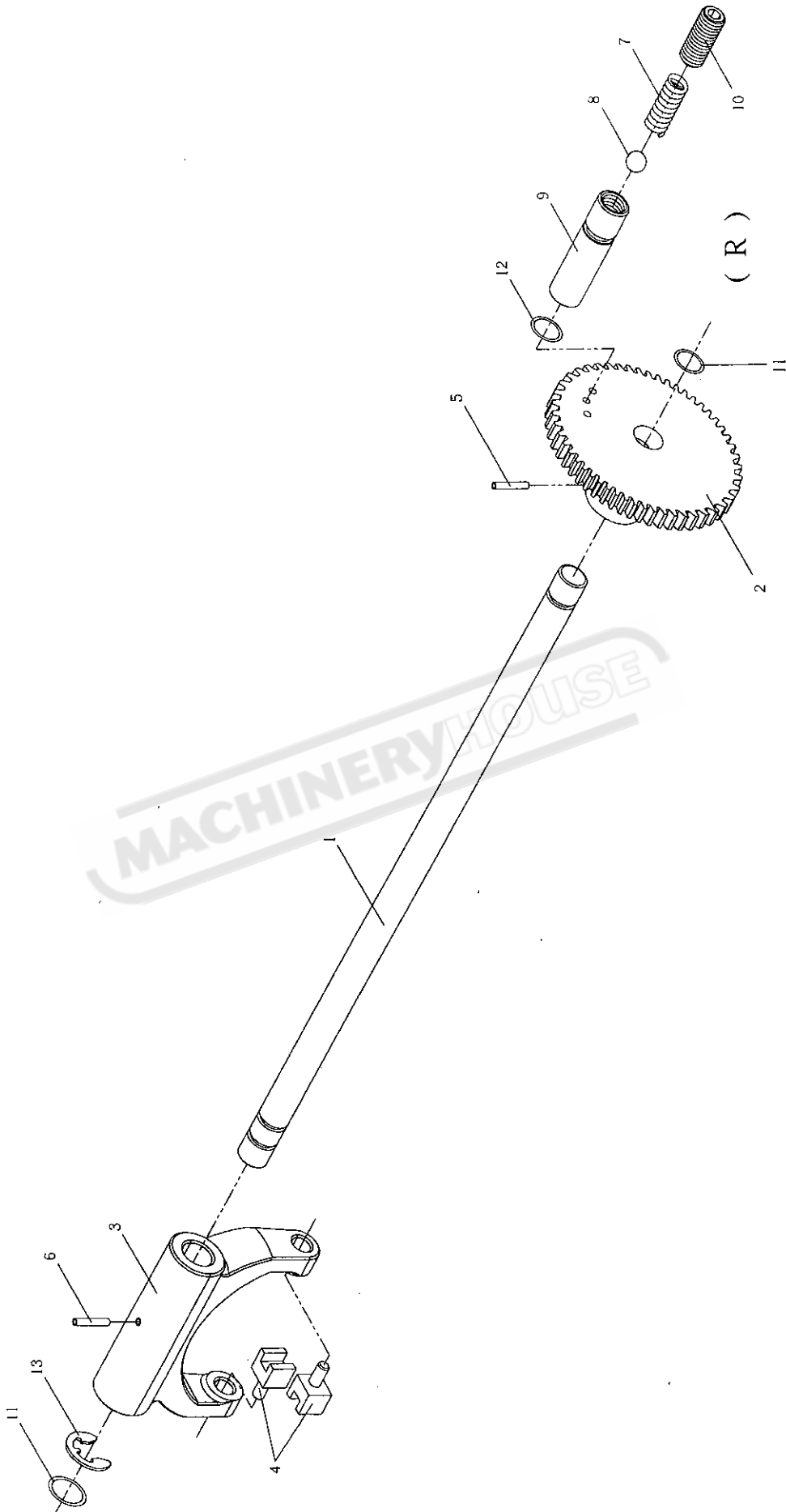


## HEADSTOCK CONTROLS

<u>NO.</u>	<u>PART NO.</u>	<u>DESCRIPTION</u>	<u>QUANTITY</u>
1.	T-1057	Shifting Shaft	2
2.	T-1058	Gear 38T	1
3.	T-1059	Shifting Crank	1
4.	T-1060	Shift Fork	2
5.	T-1061	Gear 31T	1
6.	T-1062	Shifting Crank	1
7.	T-1066	Plate	1
8.	R-1064	Shift Pad	2
9.	T-1064	Bushing	1
10.	T-1065	Bushing	1
11.	A-6004	O-Ring (P12)	4
12.	A-6005	O-Ring (P15)	2
13.	A-9205	Steel Ball (3/8")	2
14.	A-8504	Spring	2
15.	A-1112	Socket Headless Set Screw (M12 x 12)	2
16.	A-4007	Pin (5 x 30)	2
17.	A-4028	Pin (5 x 25)	2
18.	A-4036	Pin (5 x 12)	2
19.	A-3104	Circlip (E12)	2

MACHINERYHOUSE

# HEADSTOCK CONTROLS (VARISPEED)



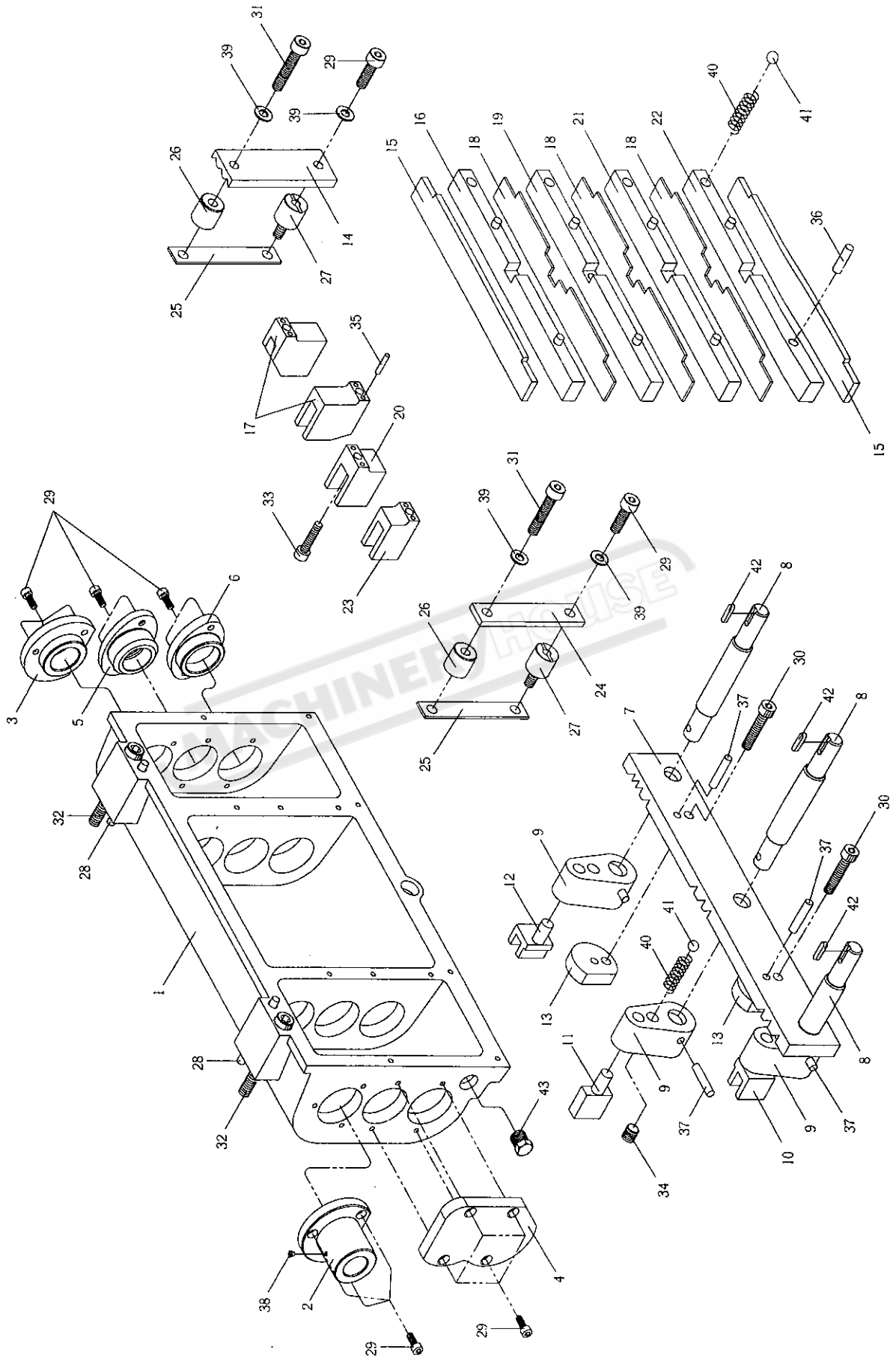


**HEADSTOCK CONTROLS (VARISPEED)**

<u>NO.</u>	<u>PART NO.</u>	<u>DESCRIPTION</u>	<u>QUANTITY</u>
1.	T-1057	Shifting Shaft	1
2.	T-1058	Gear 38T	1
3.	T-1059	Shifting Crank	1
4.	T-1060	Shift Fork	2
5.	A-4028	Pin (5 x 25)	1
6.	A-4007	Pin (5 x 30)	1
7.	A-8504	Spring	1
8.	A-9205	Steel Ball (3/8")	1
9.	T-1064	Bushing	1
10.	A-1112	Socket Headless Set Screw (M12 x 12)	1
11.	A-6004	O-Ring (P12)	2
12.	A-6005	O-Ring (P15)	1
13.	A-3104	Circlip (E12)	1

**MACHINERYHOUSE**

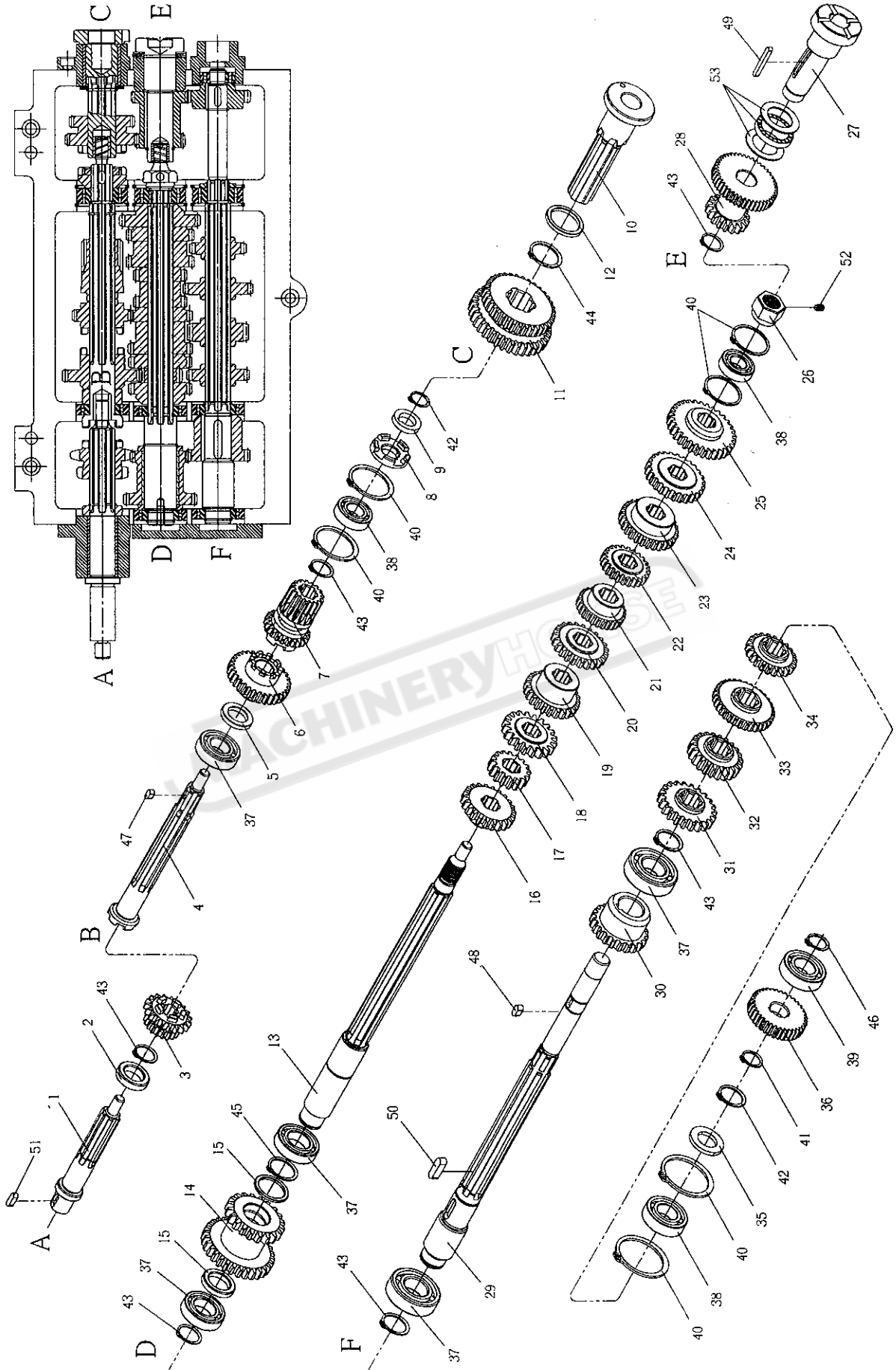
# GEARBOX CONTROLS



## GEARBOX CONTROLS

<u>NO.</u>	<u>PART NO.</u>	<u>DESCRIPTION</u>	<u>QUANTITY</u>	<u>NO.</u>	<u>PART NO.</u>	<u>DESCRIPTION</u>	<u>QUANTITY</u>
1.	T-2001	GearBox Casting	1	36.	A-4004	Pin (5 x 10)	8
2.	T-2004	Flanged Bearing	1	37.	A-4006	Pin (5 x 25)	5
3.	T-2016	Flanged Bearing	1	38.	A-9300	Oiler	1
4.	T-2018	Cover	1	39.	A-1801	Spring Washer	4
5.	T-2035	Flanged Bearing	1	40.	A-8506	Spring (S01-03-17)	7
6.	T-2045	Flanged Bearing	1	41.	A-9202	Ball $\Phi 1/4"$	7
7.	T-2047	Selector Bar	1	42.	A-7202	Key (4 x15)	3
8.	T-2051	Selector Shaft	3	43.	A-1124	Drain Plug ( 1/2"PT )	1
9.	T-2053	Lever	3				
10.	T-2054	Shift Fork	1				
11.	T-2055	Shift Pad	1				
12.	T-2056	Shift Fork	1				
13.	T-2057	Pad	2				
14.	T-2067	Detent Plate	1				
15.	T-2068	Bar	2				
16.	T-2069	Gear Bar	1				
17.	T-2070	Fork	2				
18.	T-2071	Plate	3				
19.	T-2072	Gear Bar	1				
20.	T-2073	Fork	1				
21.	T-2074	Gear Bar	1				
22.	T-2075	Gear Bar	1				
23.	T-2076	Fork	1				
24.	C-2016	Plate	1				
25.	C-2017	Bar	2				
26.	C-2007	Spacer	2				
27.	C-2008	Spacer	2				
28.	T-7006	Pin	2				
29.	A-1203	Socket Head Cap Screw (M6 x 16)	16				
30.	A-1206	Socket Head Cap Screw (M6 x 30)	2				
31.	A-1208	Socket Head Cap Screw (M6 x 40)	2				
32.	A-1233	Socket Head Cap Screw (M8 x 80)	3				
33.	A-1240	Socket Head Cap Screw (M5 x 25)	4				
34.	A-1106	Socket Headless Set Screw (M8 x 8)	3				
35.	A-4000	Pin (3 x 10)	8				

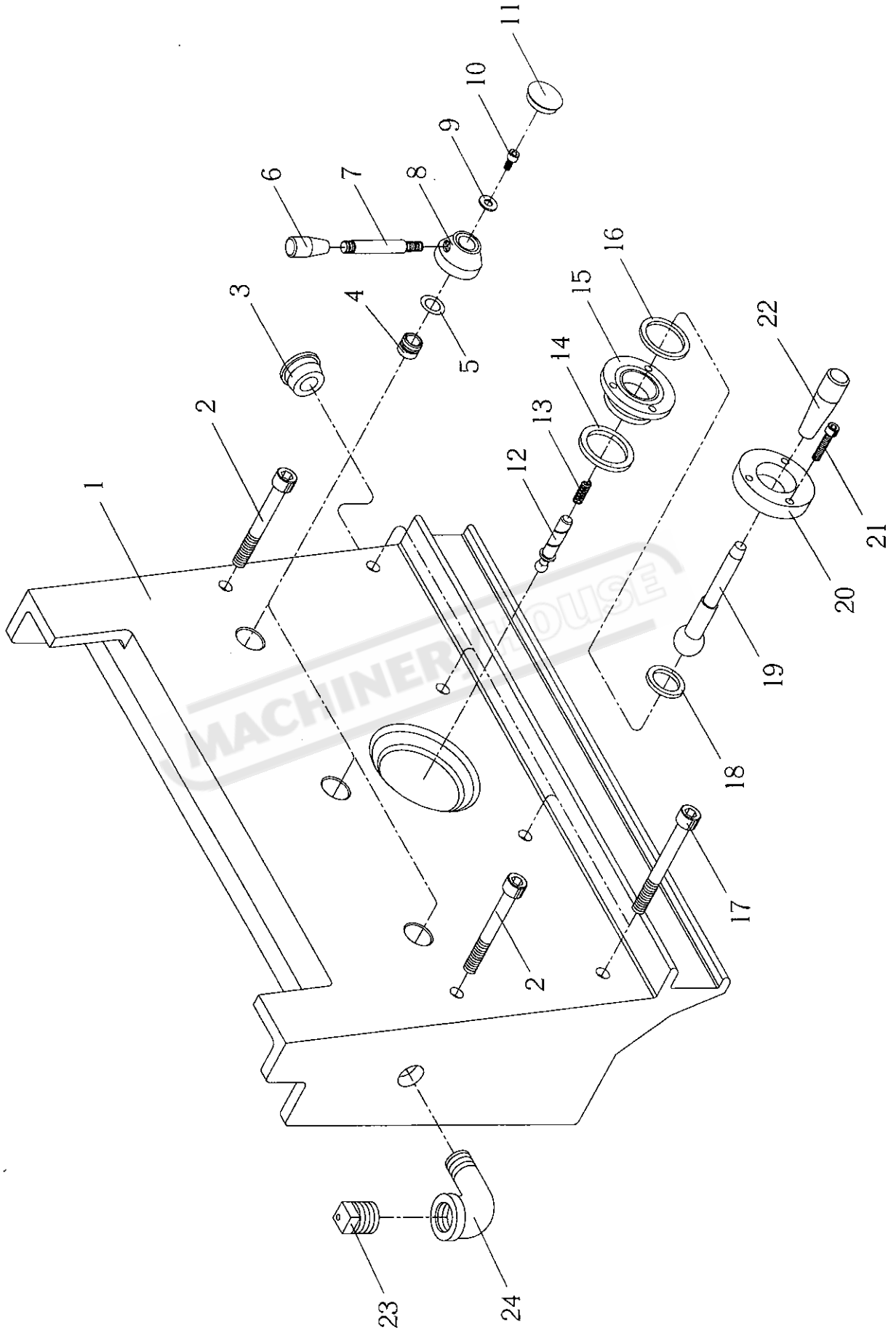
# GEARBOX GEARS & SHAFTS



## GEARBOX GEARS & SHAFTS

<u>NO.</u>	<u>PART NO.</u>	<u>DESCRIPTION</u>	<u>QUANTITY</u>	<u>NO.</u>	<u>PART NO.</u>	<u>DESCRIPTION</u>	<u>QUANTITY</u>
1.	T-2003	Drive Shaft (A)	1	36.	T-2044	Gear 36T	1
2.	T-2005	Washer	1	37.	A-2100	Bearing 16004	5
3.	T-2006	Gear 19/19T	1	38.	A-2033	Bearing 6203	3
4.	T-2007	Top Shaft (B)	1	39.	A-2046	Bearing 6001	1
5.	T-2008	Spacer	1	40.	A-3202	Circlip (R40)	6
6.	T-2009	Gear 38T	1	41.	A-3301	Circlip (S15)	1
7.	T-2010	Gear 23/19T	1	42.	A-3303	Circlip (S17)	2
8.	T-2011	Clutch	1	43.	A-3306	Circlip (S20)	6
9.	T-2012	Washer	1	44.	A-3307	Circlip (S22)	1
10.	T-2013	Driven Shaft (C) / Leadscrew	1	45.	A-3309	Circlip (S25)	1
11.	T-2014	Gear 35/35T	1	46.	A-3322	Circlip (S12)	1
12.	T-2015	Washer	1	47.	A-7204	Key (5 x 10)	1
13.	T-2019	Middle Shaft (D)	1	48.	A-7205	Key (5 x 15)	1
14.	T-2020	Gear 30/20T	1	49.	A-7209	Key (5 x 35)	1
15.	T-2021	Washer	2	50.	A-7215	Key (6 x 30)	1
16.	T-2022	Gear 22T	1	51.	A-7216	Key (6 x 35)	1
17.	T-2023	Gear 19T	1	52.	A-1100	Socket Headless Set Screw (M6 x 6)	1
18.	T-2024	Gear 20T	1	53.	A-2055	Bearing 2542	1
19.	T-2025	Gear 24T	1				
20.	T-2026	Gear 23T	1				
21.	T-2027	Gear 27T	1				
22.	T-2028	Gear 24T	1				
23.	T-2029	Gear 28T	1				
24.	T-2030	Gear 26T	1				
25.	T-2031	Gear 38T	1				
26.	T-2032	Nut	1				
27.	T-2033-1	Driven Shaft (E) / Feed Rod	1				
28.	T-2034	Gear 24/30T	1				
29.	T-2037	Bottom Shaft (F)	1				
30.	T-2038	Gear 22T	1				
31.	T-2039	Gear 22T	1				
32.	T-2040	Gear 22T	1				
33.	T-2041	Gear 33T	1				
34.	T-2042	Gear 22T	1				
35.	T-3012	Washer	1				

# GEARBOX COVER & LEVERS



## GEARBOX COVER & LEVERS

<u>NO.</u>	<u>PART NO.</u>	<u>DESCRIPTION</u>	<u>QUANTITY</u>
1.	T-2002	GearBox Cover	1
2.	A-1235	Socket Head Cap Screw (M6 x 70)	2
3.	A-9501	Oil Sight	1
4.	C-2029	Bush	3
5.	A-6005	O-Ring (P14)	3
6.	A-9110	Handle	3
7.	C-1087-3	Lever	3
8.	C-1087-2	Change Boss	3
9.	R-1030	Washer	3
10.	A-1202	Socket Head Cap Screw (M6 x 12)	3
11.	C-2075	Plug	3
12.	C-2034	Plunger	1
13.	A-8507	Spring (S01-14-30)	1
14.	A-6018	O-Ring (P38)	1
15.	C-2032	Collar	1
16.	A-6017	O-Ring (P36)	1
17.	A-1236	Socket Head Cap Screw (M6 x 90)	4
18.	A-6015	O-Ring (P29)	1
19.	T-2059	Lever	1
20.	C-2033	Selector Cover	1
21.	A-1206	Socket Head Cap Screw (M6 x 30)	3
22.	A-9107	Handle	1
23.	A-0488	Plug (1/2PT)	1
24.	A-0489	Elbow (1/2PT)	1

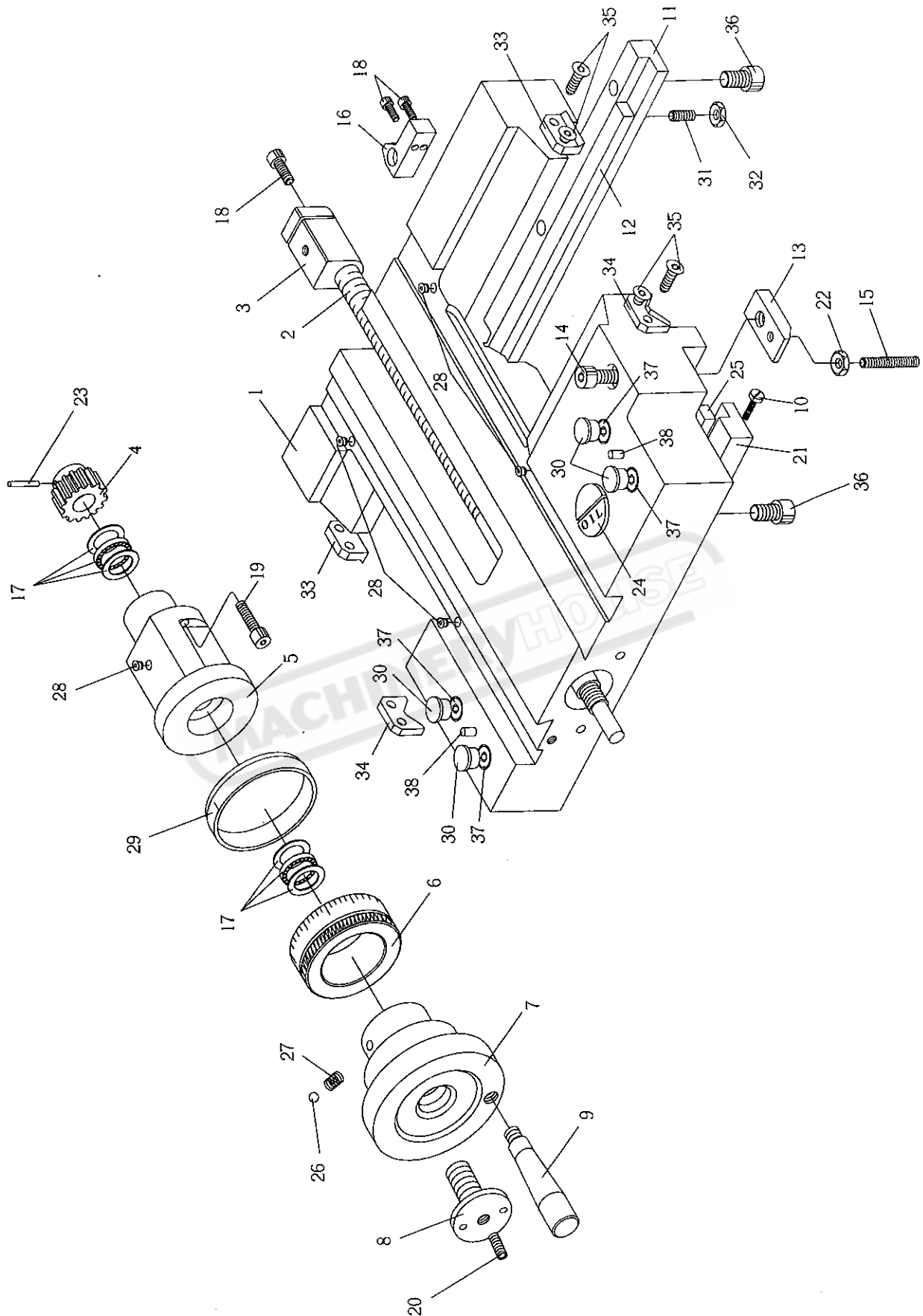




# APRON

<u>NO.</u>	<u>PART NO.</u>	<u>DESCRIPTION</u>	<u>QUANTITY</u>	<u>NO.</u>	<u>PART NO.</u>	<u>DESCRIPTION</u>	<u>QUANTITY</u>
1.	A-1104	Socket Headless Set Screw (M6 x 20)	1	41.	A-1917	Washer (M6)	1
2.	T-4010	Plug	1	42.	T-3019-1	Boss	1
3.	T-4007	Handle	1	43.	A-9107	Handle	2
4.	T-3002	Hand Wheel	1	44.	A-7205	Key (5 x 5 x 15)	1
5.	T-3006-1	Indexing Dial (Metric)	1	45.	T-3020	Cam Shaft	1
	T-3006-2	Indexing Dial (Imperial)	1				
6.	A-3313	Circlip (S32)	1	46.	A-1110	Socket Headless Set Screw (M10 x 55)	1
7.	A-2025	Bearing (#6003Z)	1	47.	T-3025-1	Wormbox Lever	1
8.	T-3008	Bushing	1	48.	T-3026	Safety Latch	1
9.	A-1203	Socket Head Cap Screw (M6 x 16)	16	49.	A-1131	Socket Headless Set Screw (M6 x 25)	1
10.	T-3005	Gear Shaft	1	50.	A-4007	Pin (5 x 30)	1
11.	A-7206	Key (5 x 5 x 20)	1	51.	T-3034	Pin	1
12.	A-6030	O-Ring (P16)	1	52.	A-1100	Socket Headless Set Screw (M6 x 6)	2
13.	A-2046	Bearing (#6001Z)	1	53.	T-3030-1	Worm Set (Right Hand)	1
14.	T-3009	Pinion Shaft	1		T-3030-2	Worm Set (Left Hand)	1
15.	T-6007	O-Ring (P18)	1	54.	C-3056	Pin	1
				55.	A-8510	Spring	1
16.	T-3010	Gear 59T	1	56.	C-3018	Pin	1
17.	A-4009	Pin (5 X 40)	1	57.	T-3036	Interlock Shaft	1
18.	A-1101	Socket Headless Set Screw (M6 x 10)	3	58.	T-3031	Shaft	1
19.	A-1106	Socket Headless Set Screw (M8 x 8)	1	59.	A-7207	Key (5 x 5 x 25)	1
20.	T-3011	Push-Pull Lever	1	60.	T-3032	Worm	1
21.	A-3304	Circlip (S18)	2	61.	A-7204	Key (5 x 5 x 10)	1
22.	T-3012	Washer	2	62.	T-3033	Gear 30T	1
23.	T-3013	Gear 48/20T	1	63.	A-3302	Circlip (S16)	1
24.	T-3301-1	Apron Casting (Right Hand)	1	64.	A-5016	Oil Seal (25 x 38 x 8)	2
	T-3301-2	Apron Casting (Left Hand)	1	65.	T-3028	Worm Bushing	1
25.	A-1142	Socket Headless Set Screw (M8 x 6)	1	66.	A-6017	O-Ring (P36)	2
26.	A-8509	Spring	2	67.	A-2055	Bearing (#2542)	3
27.	A-9202	Steel Ball	2	68.	T-3027	Pinion	1
28.	A-1105	Socket Headless Set Screw (M6 x 30)	1	69.	A-9501	Oil Sight	1
29.	A-1207	Socket Head Cap Screw (M6 x 35)	1	70.	A-1108	Socket Headless Set Screw (M10 x 10)	1
30.	T-3022-1	Half-Nut Set (Metric)	1	72.	T-3038-1	Bracket	1
	T-3022-2	Half-Nut Set (Imperial)	1	73.	A-1812	Spring Washer (Φ6)	4
31.	C-3004	Strip	1	74.	A-1510	Cross Recessed Head Screw (M6 x 12)	2
32.	C-3008	Pin	1	75.	A-1512	Cross Recessed Head Screw (M6 x 10)	2
33.	R-3028	Gib	1	76.	C-5026-1	Lever	2
34.	A-1205	Socket Head Cap Screw (M6 x 25)	2				
35.	T-3014	Shaft	1				
36.	A-6005	O-Ring (P14)	3				
37.	T-3015	Gear 25T	1				
38.	T-3016	Worm Wheel	1				
39.	A-6001	O-Ring (P9)	1				
40.	A-1426	Hexagon Head Screw	1				

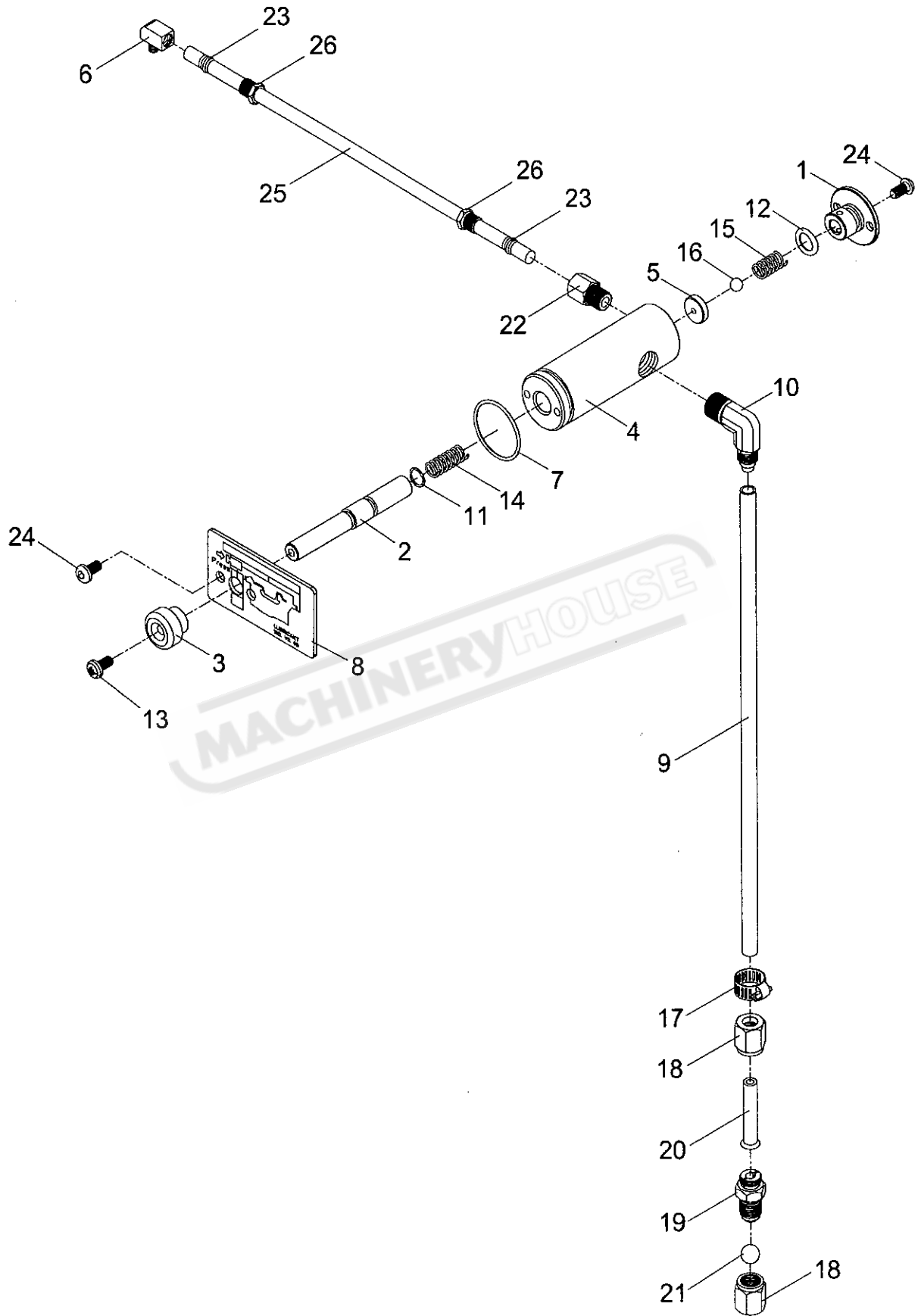
# SADDLES ASSEMBLIES



## SADDLES ASSEMBLIES

<u>NO.</u>	<u>PART NO.</u>	<u>DESCRIPTION</u>	<u>QUANTITY</u>	<u>NO.</u>	<u>PART NO.</u>	<u>DESCRIPTION</u>	<u>QUANTITY</u>
1.	T-4001	Saddle Casting	1	36.	A-1215	Socket Head Cap Screw (M8 x 30)	4
2.	T-4003-1	Cross Feed Screw (Metric)	1	37.	A-1218	Socket Head Cap Screw (M8 x 50)	4
	T-4003-2	Cross Feed Screw (Inch)	1	38.	A-4012	Pin (Ø5 x 55)	2
3.	T-4004-1	Cross Feed Nut (Metric)	1				
	T-4004-2	Cross Feed Nut (Inch)	1				
4.	T-4005	Cross Feed Pinion	1				
5.	T-4006	Keep Assembly	1				
6.	T-4008-1	Indexing Dial (Metric)	1				
	T-4008-2	Indexing Dial (Imperial)	1				
7.	T-4009	Cross Handwheel	1				
8.	T-4010	Plug	1				
9.	T-4007	Handle	1				
10.	C-4032	Gib Screw	2				
11.	C-4020-1	Rear Strip	1				
12.	C-4021-1	Rear Gib	1				
13.	T-4015	Strip	1				
14.	A-1234	Socket Head Cap Screw (M10 x 65)	1				
15.	A-1134	Socket Headless Set Screw (M8 x 40)	1				
16.	J-4014	Bracket	1				
17.	A-2021	Bearing #51103	2				
18.	A-1203	Socket Head Cap Screw (M6 x 16)	3				
19.	A-1515	Socket Head Cap Screw (M6 x 20)	2				
20.	A-1103	Socket Headless Set Screw (M6 x 16)	1				
21.	T-4013	Front Strip	1				
22.	A-1701	Nut (M8)	1				
23.	A-4006	Pin (5 x 25)	1				
24.	F-4008	Oil Cap	1				
25.	T-4014	Front Gib	1				
26.	A-9202	Steel Ball	2				
27.	A-8511	Spring	2				
28.	A-9304	Oiler (6mm)	5				
29.	T-4022	Collar	1				
30.	A-4505	Plug	4				
31.	A-1105	Socket Headless Set screw (M6 x 30)	3				
32.	A-1700	Nut (M6)	3				
33.	T-4023	Flat Wiper	2				
34.	T-4024	Vee Wiper	2				
35.	A-1605	Cross Ressed Screw (M5 x 10)	8				

# SADDLE LUBRICATION (OPTIONAL)

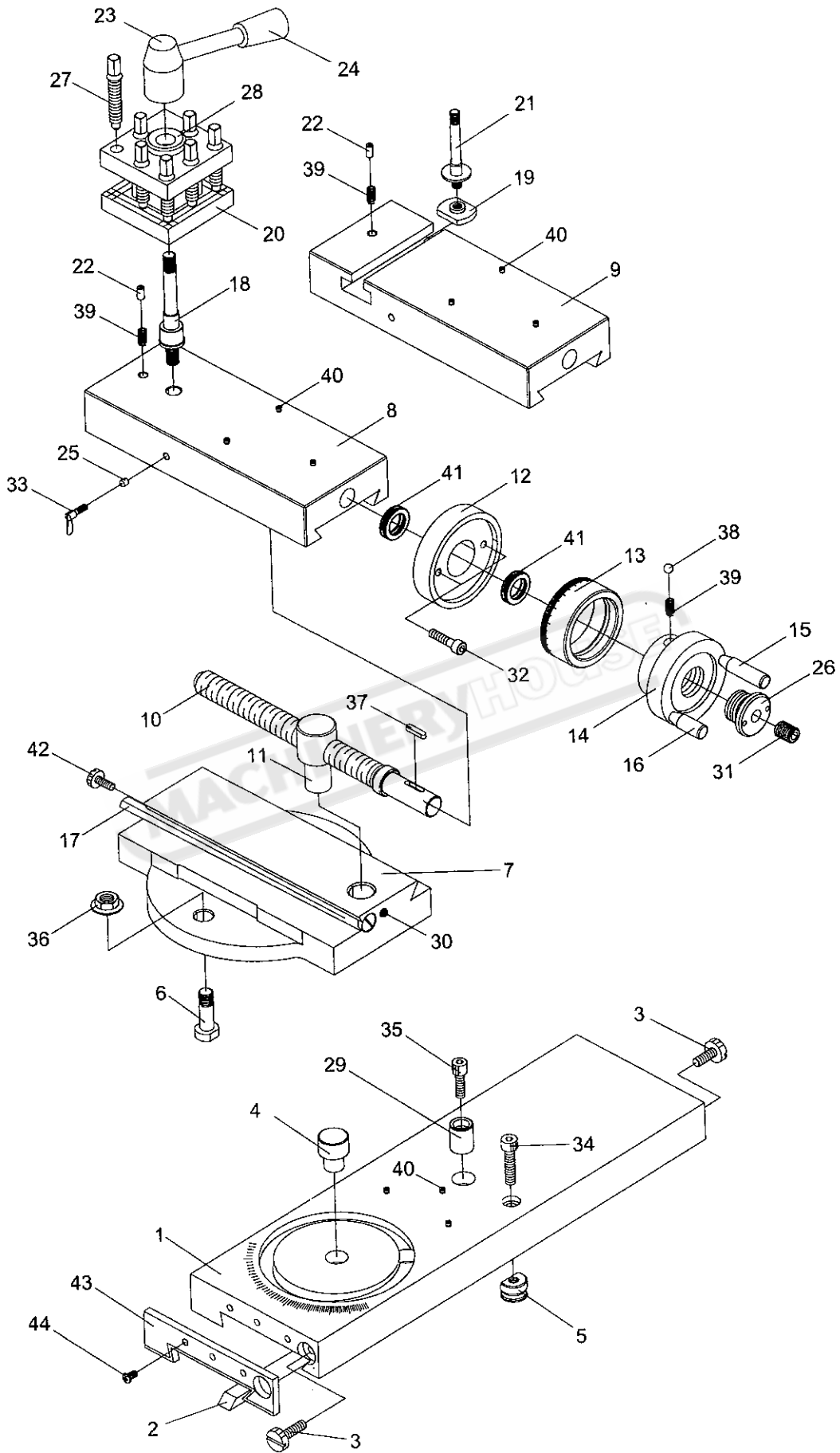


MACHINERYHOUSE

## SADDLE LUBRICATION (OPTIONAL)

<u>NO.</u>	<u>PART NO.</u>	<u>DESCRIPTION</u>	<u>QUANTITY</u>
1.	C-4036	Cover	1
2.	C-4037	Axle	1
3.	C-4038	Button	1
4.	C-4039	Pump	1
5.	C-4040	Plug	1
6.	A-9619	Joint	1
7.	A-6016	O-Ring	1
8.	NC-40	Name Plate	1
9.	A-9320	Outlet Tube	1
10.	A-9308	Inlet Valve	1
11.	A-6000	O-Ring (P7)	1
12.	A-6002	O-Ring (P10A)	1
13.	A-1509	Cross Recessed Head Screw (M5×10)	1
14.	A-8412	Spring	1
15.	A-8413	Spring	1
16.	A-9206	Ball(Φ3/16")	1
17.	A-9317	Clip	1
18.	A-9311	Nut	2
19.	A-9312	By-pass	1
20.	A-9315	Sleeve	1
21.	A-9205	Ball(Φ3/8")	1
22.	A-9610	Jointer	1
23.	A-9635	Joint Tube	2
24.	A-1509	Round Head Cap Screw (M5×10)	4
25.	A-9313	Tube	1
26.	A-9634	Nut	2

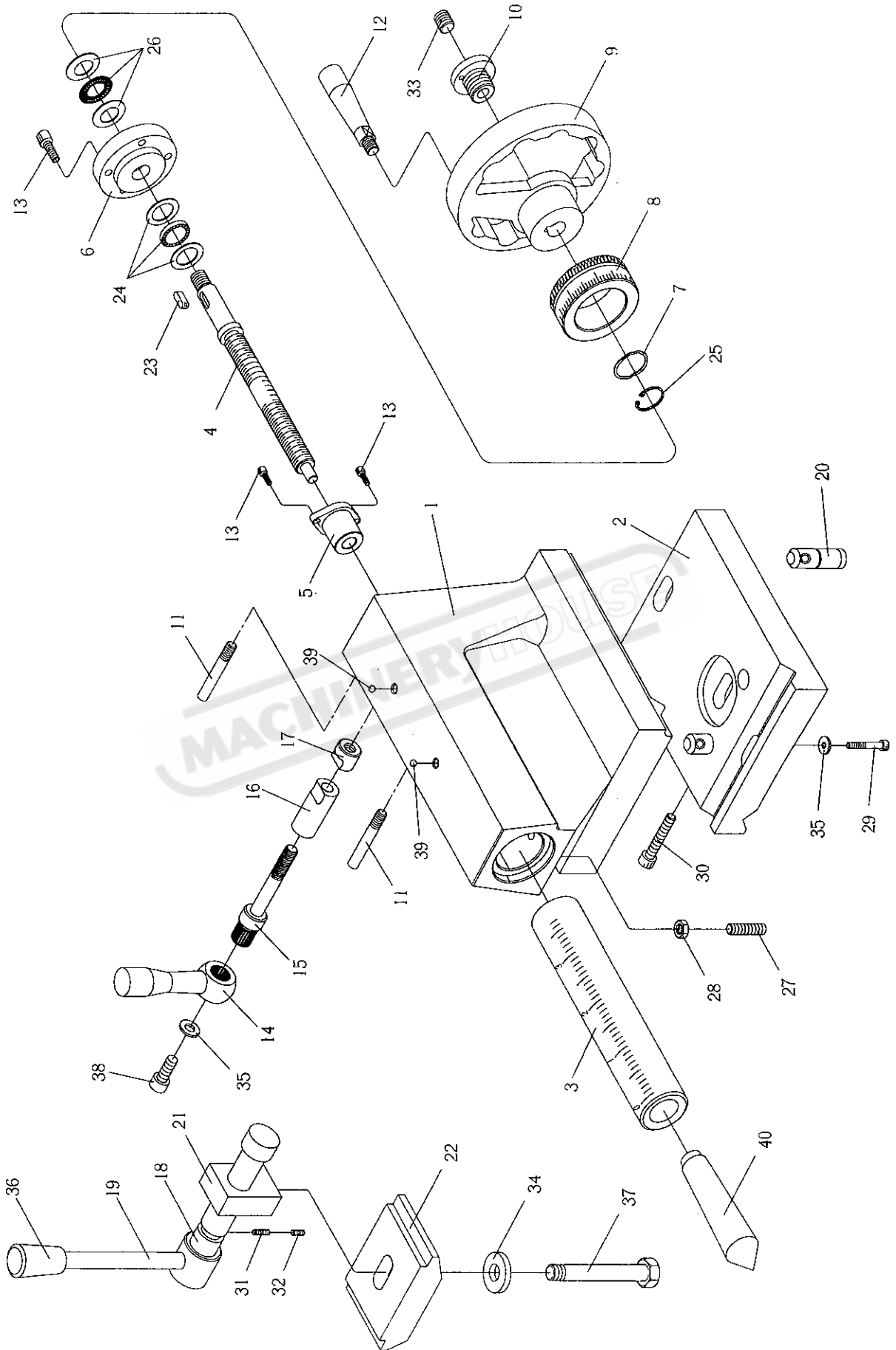
# CROSS & TOP SLIDES



## CROSS & TOP SLIDES

<u>NO.</u>	<u>PART NO.</u>	<u>DESCRIPTION</u>	<u>QUANTITY</u>	<u>NO.</u>	<u>PART NO.</u>	<u>DESCRIPTION</u>	<u>QUANTITY</u>
1.	T-4002	Cross Slide	1	36.	A-1731	Nut (3/8")	2
2.	T-4011	Gib	1	37.	A-7202	Key (4 x 15)	1
3.	C-4032	Gib Screw	2	38.	A-9202	Steel Ball	2
4.	T-4019	Pivot	1	39.	A-8512	Spring	3
5.	T-4020	Locking Pad	1	40.	A-9300	Oiler (6mm)	6
6.	T-4021	Bolt	2	41.	A-2021	Bearing 51103	2
7.	T-5001	Swivel Slide	1	42.	T-5010	Gib Screw	2
8.	T-5002-1	Top Slide	1	43.	T-4025	Wiper	1
9.	T-5002-2	Slotted Top-Slide	1	44.	A-1529	Round Head Cap Screw (5 x 12)	3
10.	T-5003-1	Top Slide Screw (Metric)	1				
	T-5003-2	Top Slide Screw (Imperial)	1				
11.	T-5004-1	Top Slide Nut (Metric)	1				
	T-5004-2	Top Slide Nut (Imperial)	1				
12.	T-5005	Keeper	1				
13.	T-5006-1	Index Ring (Metric)	1				
	T-5006-2	Index Ring (Imperial)	1				
14.	T-5007	Handwheel	1				
15.	T-5008	Handle (Long)	1				
16.	T-5009	Handle (Short)	1				
17.	T-5011	Gib	1				
18.	T-5012-1	Toolpost Stud	1				
19.	T-5013	T-Slot Clamp	1				
20.	T-5014	4-way Toolpost	1				
21.	T-5012-2	T-Slot Stud	1				
22.	T-5016	Position Pin	2				
23.	T-5018	Clamp Boss	1				
24.	A-9107	Handle	1				
25.	T-5020	Pad	1				
26.	T-4010	Plug	1				
27.	C-5024	Tool Screw	12				
28.	C-5025	Washer	1				
29.	T-4018	Bushing	1				
30.	A-1106	Socket Headless Set Screw (M8 x 8)	1				
31.	A-1104	Socket Headless Set Screw (M6 x 20)	1				
32.	A-1204	Socket Head Cap Screw (M6 x 20)	2				
33.	A-1143	Swivel Set Screw	1				
34.	A-1205	Socket Head Cap Screw (M6 x 25)	1				
35.	A-1212	Socket Head Cap Screw (M8 x 16)	1				

# TAILSTOCK ASSEMBLY

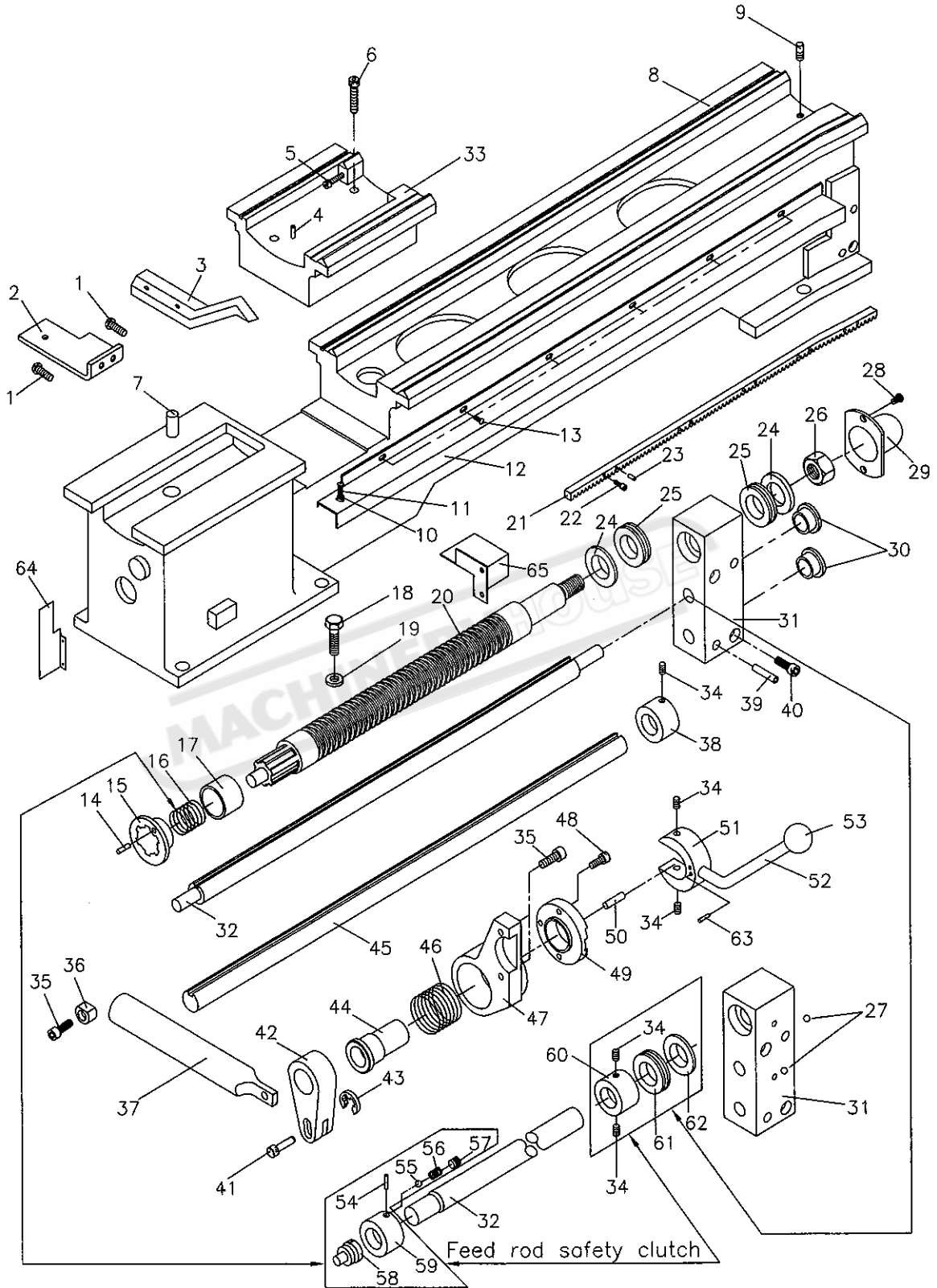




## TAILSTOCK ASSEMBLY

<u>NO.</u>	<u>PART NO.</u>	<u>DESCRIPTION</u>	<u>QUANTITY</u>	<u>NO.</u>	<u>PART NO.</u>	<u>DESCRIPTION</u>	<u>QUANTITY</u>
1.	T-6001	Tailstock Casting	1	36.	A-9107	Handle	1
2.	T-6002	Tailstock Base	1	37.	A-1470	Hexagon Bolt (M12 x 80)	1
3.	T-6020	Barrel	1	38.	A-1525	Round Head Cap Screw (M6 x 16)	1
4.	T-6003-1	Screw (Metric)	1	39.	A-9300	Oilers (1/4")	2
	T-6003-2	Screw (Inch)	1	40.	A-4517	MT3 Center	1
5.	T-6004-1	Nut (Metric)	1				
	T-6004-2	Nut (Inch)	1				
6.	T-6005	Keeper	1				
7.	A-3108	Wave Washer	1				
8.	T-6006-1	Index Ring (Metric)	1				
	T-6006-2	Index Ring (Inch)	1				
9.	T-6008	Handwheel	1				
10.	C-3032	Plug	1				
11.	C-6026	Stop Pin	2				
12.	C-4011	Handle	1				
13.	A-1204	Socket Head Cap Screw (M6 x 20)	6				
14.	C-6029	Lock Lever	1				
15.	T-6025	Locking Screw	1				
16.	T-6024	Bushing	1				
17.	T-6023	Bushing	1				
18.	T-6014	Lever Assembly	1				
19.	T-6015	Lever	1				
20.	T-6016	Pin	2				
21.	T-6017	Pivot	1				
22.	T-6018	Clamp	1				
23.	A-7214	Key (6 x 20)	1				
24.	A-2022	Bearing #51104	1				
25.	A-3313	Circlip (S32)	1				
26.	A-2001	Bearing #2035	1				
27.	A-1111	Socket Headless Set Screw (M10 x 60)	1				
28.	A-1702	Nut (M10)	1				
29.	A-1208	Socket Head Cap Screw (M6 x 40)	2				
30.	A-1217	Socket Head Cap Screw (M8 x 45)	2				
31.	A-1101	Socket Headless Set Screw (M6 x 10)	1				
32.	A-1100	Socket Headless Set Screw (M6 x 6)	1				
33.	A-1131	Socket Headless Set Screw (M6 x 25)	1				
34.	R-6024	Washer	1				
35.	R-1030	Washer	3				

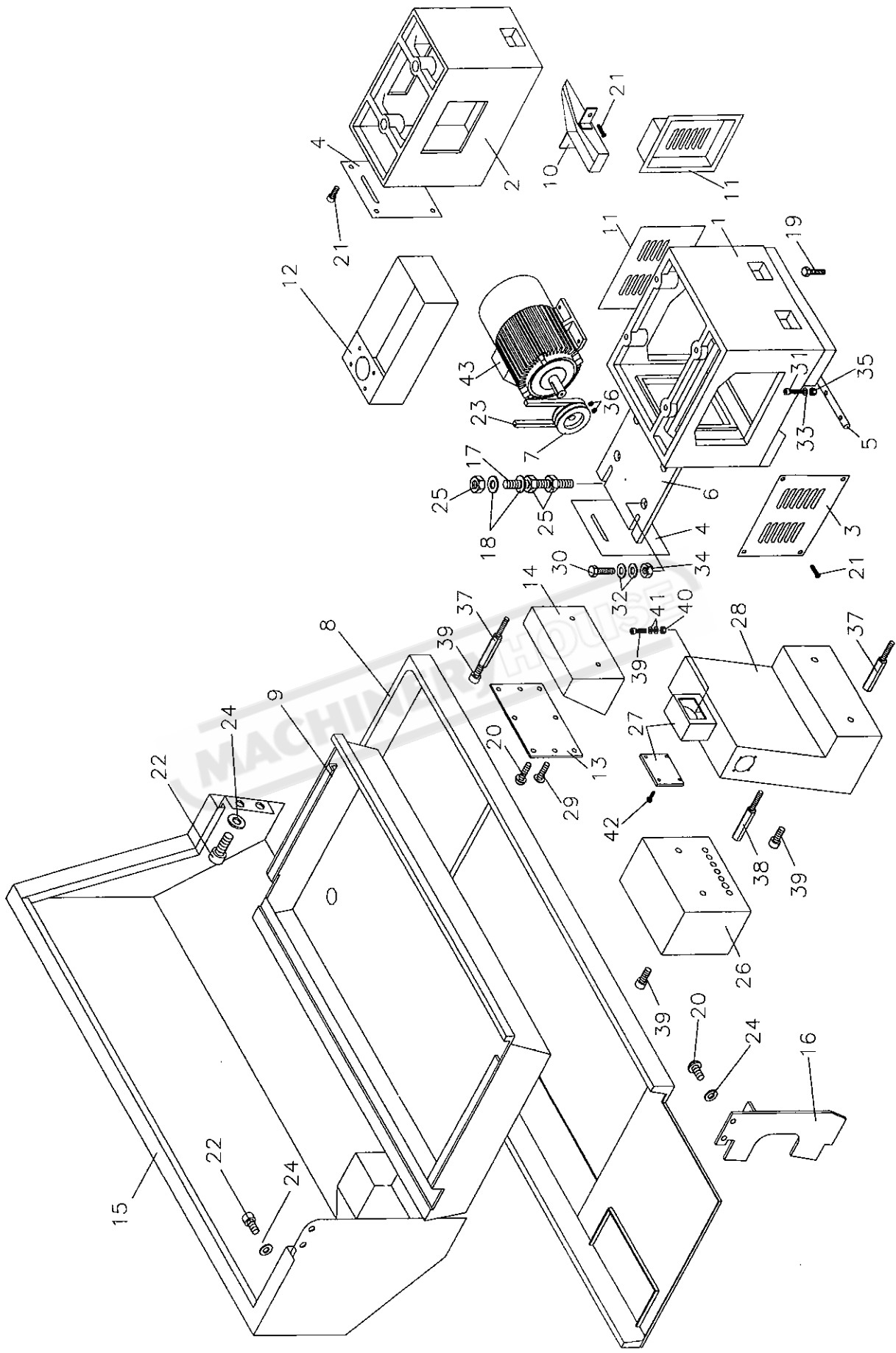
# BED ASSEMBLY



**BED ASSEMBLY**

<u>NO.</u>	<u>PART NO.</u>	<u>DESCRIPTION</u>	<u>QUANTITY</u>	<u>NO.</u>	<u>PART NO.</u>	<u>DESCRIPTION</u>	<u>QUANTITY</u>
1.	A-1202	Socket Head Cap Screw (M6 x 12)	4	32.	T-7009	Feed Rod	1
2.	T-7021	Plate	1	33.	T-7002	Gap Piece	1
3.	T-8024	Guard	1	34.	A-1100	Socket Headless Set Screw (M6 x 6)	5
4.	A-4204	Taper Pin (Φ6 x 65)	2	35.	A-1203	Socket Head Cap Screw (M6 x 16)	3
5.	A-1242	Socket Head Cap Screw (M8 x 60)	2				
				36.	T-7024	Dog	1
6.	A-1257	Socket HeadCap Screw (M12 x 55)	4	37.	T-7020	Rod	1
7.	T-7003	Dowel	1	38.	T-7017	Collar	1
8.	T-7701	Gap Bed (750)	1	39.	T-7006	Pin	2
	T-7701	Gap Bed (1000)	1	40.	A-1218	Socket Head Cap Screw (M8 x 50)	2
	T-7701-1	Straight Bed (750)	1				
	T-7701-1	Straight Bed (1000)	1	41.	T-7018	Pivot	1
9.	C-8007	Stop Pin	1	42.	T-7019	Lever	1
10.	A-1901	Washer (M6)	1	43.	A-3100	Circlip (E6)	1
				44.	R-7033	Sleeve	1
11.	A-1510	Cross Ressed Head Screw (M6 x 12)	1	45.	T-7012	Control Rod	1
12.	T-7076	Leadscrew Cover (750) (Optional)	1				
	T-7076	Leadscrew Cover (1000) (Optional)	1	46.	A-8515	Spring	1
13.	A-1509	Cross Ressed Head Screw (M5 x 10)	4/5	47.	T-7013	Bracket	1
14.	A-4014	Pin (Φ4 x 15)	1	48.	A-1234	Socket Head Cap Screw (M5 x 10)	3
15.	T-7008	Collar	1	49.	R-7032-2	Gate Ring	1
				50.	A-4004	Pin (Φ5 x 10)	1
16.	A-8514	Spring	1				
17.	T-7010	Coupleing	1	51.	R-7034	Lever Assembly	1
18.	A-1428	Hexagon Screw (M16 x 65)	6	52.	C-8020	Lever	1
19.	A-1806	Washer (M16)	6	53.	A-9108	Handle	1
20.	T-7007-1	Leadscrew (Metric) (750/1000)	1	54.	A-4010	Pin (Φ5 x 45)	1
	T-7007-2	Leadscrew (Inch) (750/1000)	1	55.	A-9202	Ball	2
21.	T-7004	Rack (750/1000)	1				
22.	A-1205	Socket Head Cap Screw (M6 x 25)	5/6	56.	A-8419	Spring	2
23.	A-4006	Pin (Φ5 x 24)	5/6	57.	A-1106	Socket Headless Set Screw (M8 x 8)	2
24.	T-7023	Washer	2	58.	T-2033-1	Driven Shaft (E)	1
25.	A-2021	Bearing (#51103)	2	59.	T-2081	Coupleing	1
				60.	T-2082	Collar	1
26.	A-1744	Nylon Nut	1				
27.	A-9300	Oiler (6mm)	2	61.	A-2001	Bearing (#2035)	1
28.	A-1511	Cross Ressed Head Screw (M4 x 12)	2	62.	T-2015	Washer	1
29.	T-8026	Cover	1	63.	A-4021	Pin (Φ5 x 15)	1
30.	C-2075	Plug	2	64.	T-7084	Plate	1
31.	T-7705	End Bracket	1	65.	T-7754	Switch cover (OPT)	1

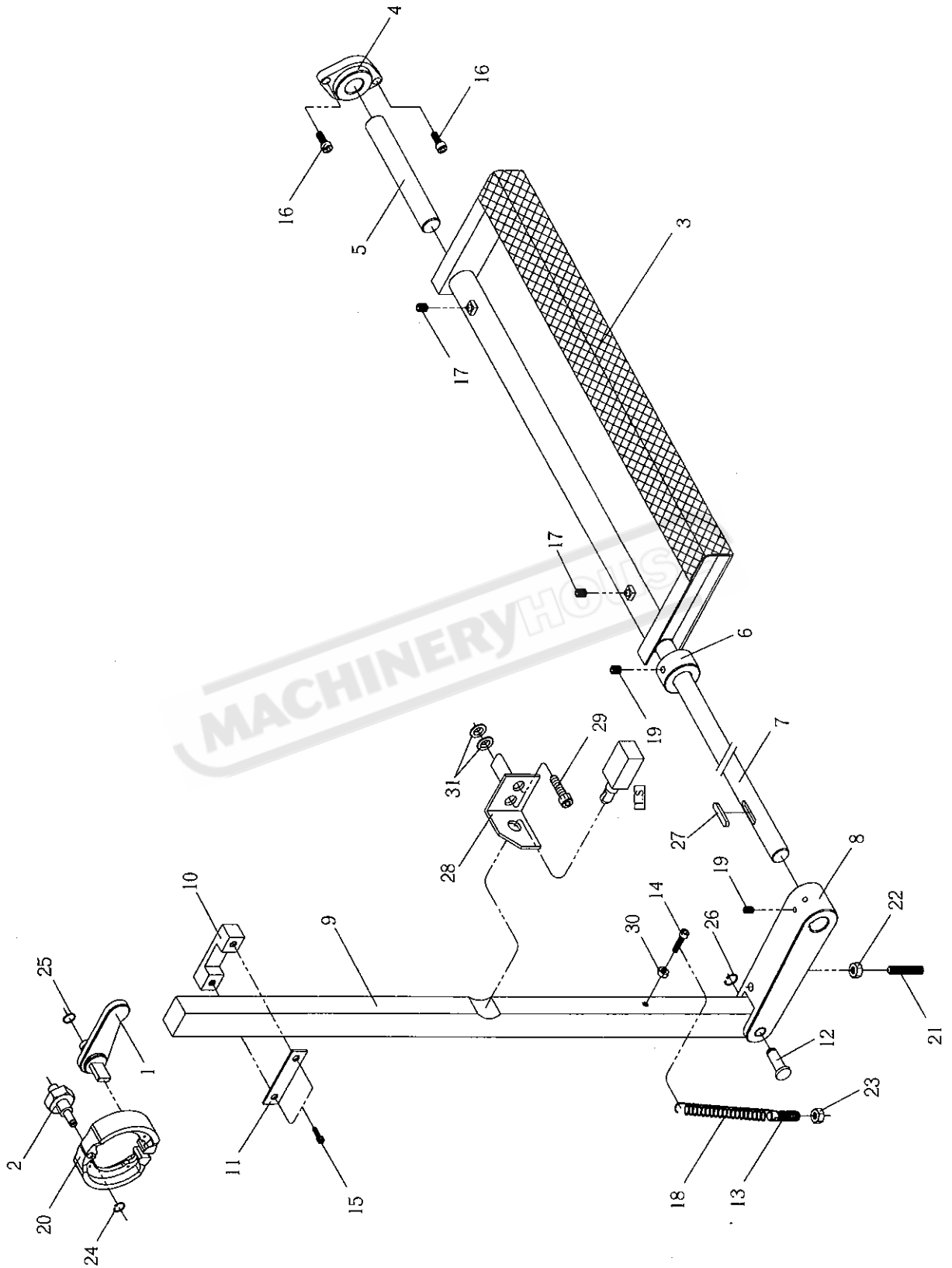
# PLINTH & SHEET METAL



## PLINTH & SHEET METAL

<u>NO.</u>	<u>PART NO.</u>	<u>DESCRIPTION</u>	<u>QUANTITY</u>	<u>NO.</u>	<u>PART NO.</u>	<u>DESCRIPTION</u>	<u>QUANTITY</u>
1.	T-7035	Head End Plinth	1	31.	A-1244	Socket Head Cap Screw (M8 x 75)	2
2.	T-7036	Tail End Plinth	1	32.	A-1807	Washer (M10)	8
3.	T-7037	Motor Cover	1	33.	A-1802	Washer (M8)	2
4.	C-7008	Plinth Cover	2	34.	A-1702	Nut (M10)	4
5.	T-7039	Platform Shaft	1	35.	A-1701	Nut (M8)	2
6.	C-7003	Motor Platform	1	36.	A-1142	Socket Headless Set Screw (M8 x 6)	2
7.	T-7041-6	Pulley (5HP 60HZ)	1	37.	C-8030	Stud (Optional)	2
	T-7041-8	Pulley (5HP 50HZ)	1	38.	T-7034	Stud (2-Speed) (Optional)	2
	T-7041-7	Pulley (3/5HP 60HZ)	1	39.	A-1202	Socket Head Cap Screw (M6 x 12)	3
	T-7041-9	Pulley (3/5HP 50HZ)	1			(Optional)	
8.	T-7027	Water Pan (750 / 1000)	1	40.	A-1700	Nut (M6) (Varispeed) (Optional)	1
9.	T-7028	Chip Tray (750 / 1000)	1				
10.	T-7066	Hopper	1	41.	A-1801	Washer (Varispeed) (Optional)	2
				42.	A-1509	Round Head Cap Screw (M5 x 10)	4
						(Optional)	
11.	T-7060	Standard Motor Fan Cover	1	43.	Z-1320	Motor (5HP / 4P)	1
	T-7062	2-Speed Motor Fan Cover	1		Z-1310	Motor VS model (4HP / 8P)	1
12.	T-7031	Coolant Tank	1		Z-1340	Motor (3/5HP / 8P/4P)	1
13.	T-7032	Cover	1	44.	A-1142	Socket Headless Set Screw (M8 x 6)	2
14.	T-7033	Electrical Cabinet	1				
15.	T-7053	Splash Guard (750 / 1000)	1				
	T-7053-1	Deeper Splash Guard (750 / 1000)	1				
16.	T-7054	Feed Gear Box Guard	1				
	T-7754	Feed Gear Box Guard (Optional)	1				
17.	C-7005	Stud	2				
18.	C-7006	Washer	4				
19.	A-1422	Hexagon Bolt (M16 x 50)	6				
20.	A-1614	Round Head Cap Screw (M5 x 8)	6				
21.	A-1512	Cross Recessed Screw (M6 x 10)	18				
22.	A-1203	Socket Head Cap Screw (M6 x 16)	4				
23.	A-0015	Belt (A75)	3				
24.	A-1801	Spring Washer	7				
25.	A-1712	Nut (1/2")	6				
26.	T-7033-3	2-Speed Electrical Cabinet (Optional)	1				
	T-7033-8	CE Electrical Cabinet (Optional)	1				
27.	C-8038	Varispeed Speed Meter Box (Optional)	1				
28.	T-7033-9	Varispeed Electrical Cabinet (Optional)	1				
29.	A-1615	Cross Recessed Sheet Metal Screw (M5 x 8)	5				
30.	A-1441	Hexagon Bolt (M10 x 40)	4				

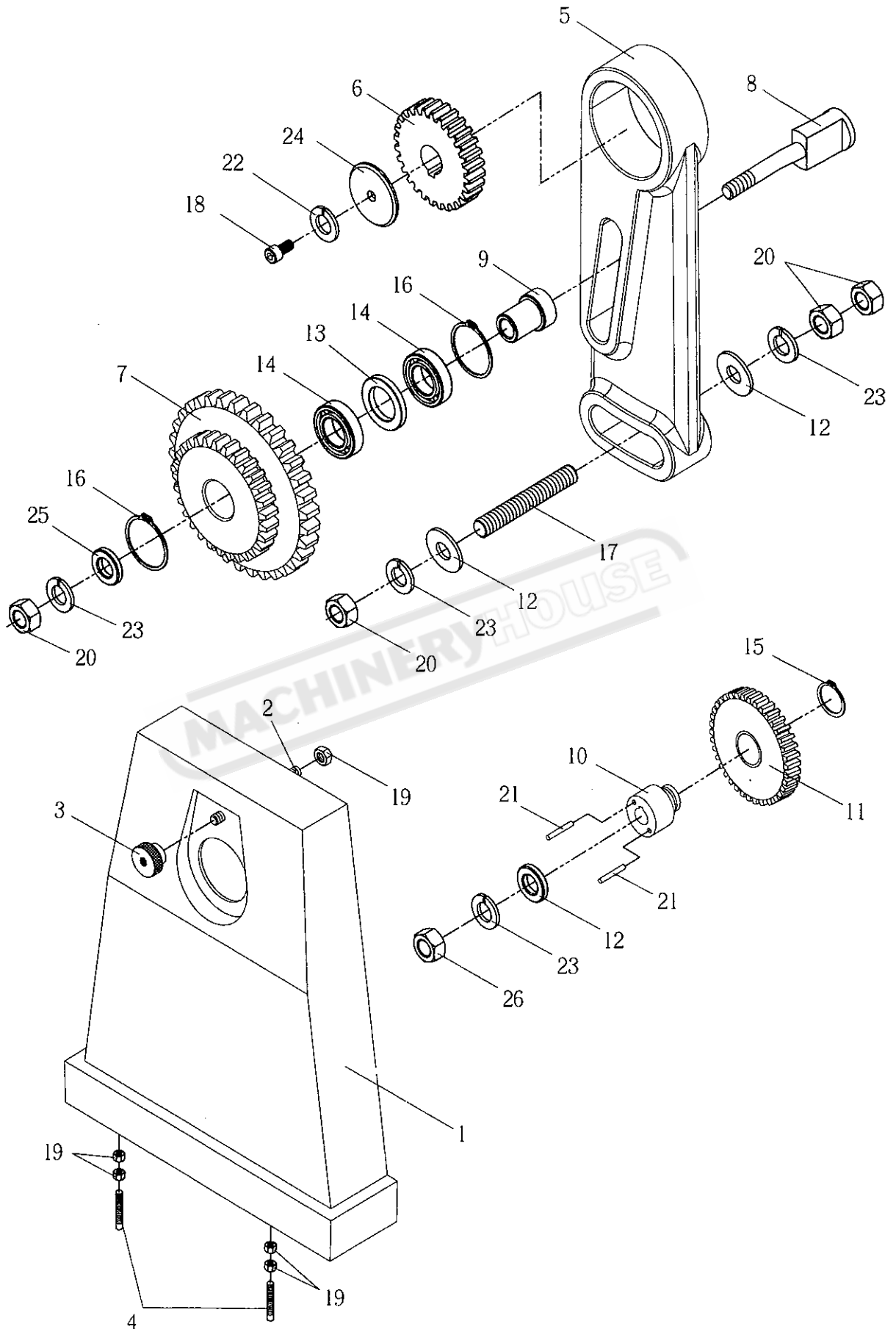
# BRAKE ASSEMBLY



**BRAKE ASSEMBLY**

<u>NO.</u>	<u>PART NO.</u>	<u>DESCRIPTION</u>	<u>QUANTITY</u>
1.	T-1015	Brake Shoes Controller	1
2.	T-1016	Stud	1
3.	T-7042	Pedal	1
4.	C-7009	Flange	1
5.	C-7010	Connect Shaft	1
6.	C-8011	Collars	1
7.	T-7046	Connector	1
8.	T-7047	Lever	1
9.	T-7048	Operation Bar	1
10.	T-7049	Guide Block	1
11.	T-7050	Strap Plate	1
12.	T-7051	Pivot	1
13.	T-7052	Stud	1
14.	A-1205	Socket Head Cap Screw (M6 x 25)	1
15.	A-1207	Socket Head Cap Screw (M6 x 35)	2
16.	A-1203	Socket Head Cap Screw (M6 x 16)	2
17.	A-1169	Socket Headless Set Screw (M8 x 10)	2
18.	A-8501	Spring	1
19.	A-1101	Socket Headless Set Screw (M6 x 10)	2
20.	A-9800	Brake Shoe Assembly	1
21.	A-1140	Socket Headless Set Screw (M8 x 55)	1
22.	A-1701	Nut (M8)	1
23.	A-1708	Nut (3/8")	1
24.	A-3102	Circlip (E8)	1
25.	A-3322	Circlip (S12)	1
26.	A-3103	Circlip (E10)	1
27.	A-7213	Key (6 x 15)	1
28.	T-7063	Angle Plate	1
29.	A-1202	Socket Head Cap Screw (M6 x 12)	2
30.	A-1700	Nut (M6)	1
31.	A-1917	Washer (Φ6)	4

# END GEARS TRAIN & COVER

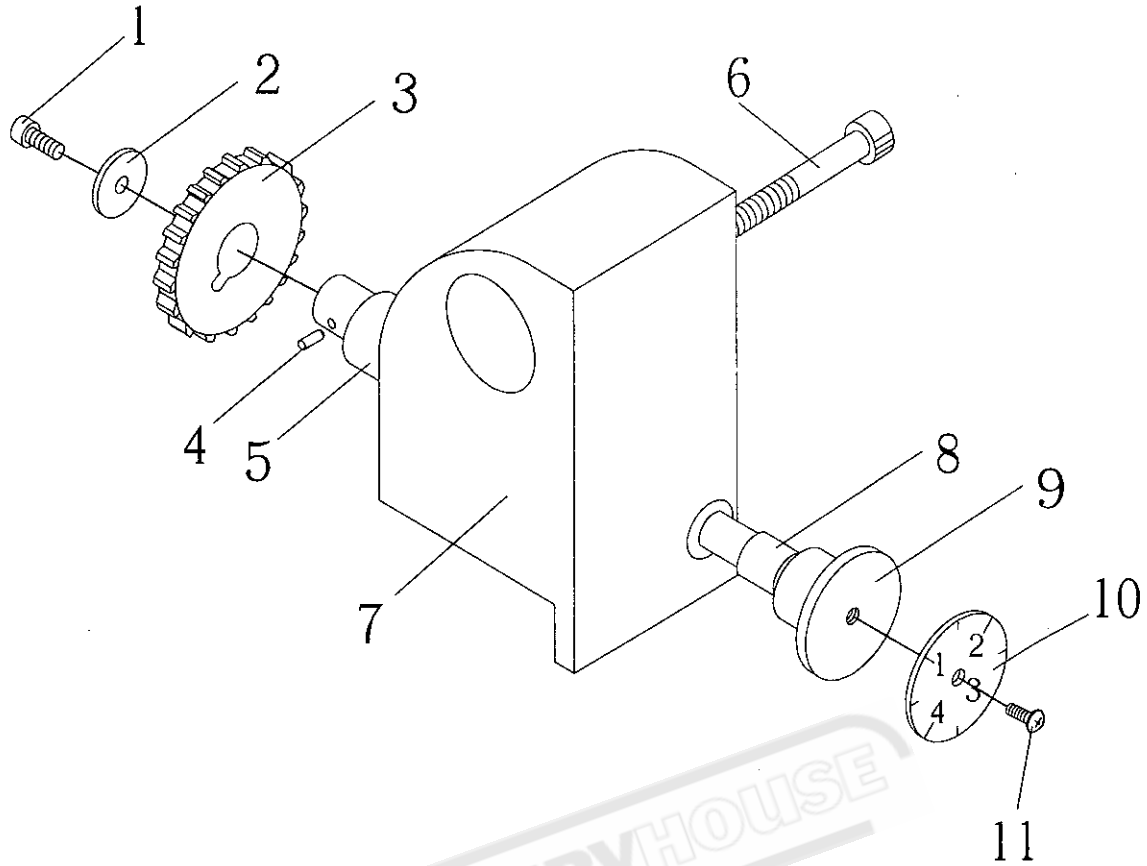




## END GEARS TRAIN & COVER

<u>NO.</u>	<u>PART NO.</u>	<u>DESCRIPTION</u>	<u>QUANTITY</u>
1.	T-8001	Cover	1
2.	T-8002	Stud	1
3.	C-1138	Knurl Nut	1
4.	C-1139	Stud	2
5.	T-8005	Swing Frame	1
6.	T-8006-1	Drive Gear 28T (Metric Leadscrew)	1
	T-8006-2	Drive Gear 24T (Inch Leadscrew)	1
7.	T-8008-1	Idler Gear 54/55T (Metric Leadscrew)	1
	T-8008-2	Idler Gear 44/56T (Inch Leadscrew)	1
8.	T-8009	Gear Shaft	1
9.	T-8010	Collar	1
10.	T-8011	Spacer	1
11.	T-8012-1	Driven Gear 64T (Metric Leadscrew)	1
	T-8012-2	Driven Gear 57T (Inch Leadscrew)	1
12.	A-1905	Washer (1/2")	3
13.	C-1133	Washer	1
14.	A-2119	Bearing #6004Z	2
15.	A-3313	Circlip (S32)	1
16.	A-3203	Circlip (R42)	2
17.	T-8005-2	Stud	1
18.	A-1212	Socket Head Cap Screw (M8 x 16)	1
19.	A-1701	Nut (M8)	5
20.	A-1703	Nut (M12)	4
21.	C-1145	Pin	2
22.	A-1802	Spring Washer (Φ8)	1
23.	A-1805	Spring Washer (Φ12)	4
24.	T-8013	Washer	1
25.	A-1911	Washer (Φ12)	1
26.	A-1746	Nut (M12)	1

# THREADING DIALS



Imperial

Metric

INDICATOR TABLE					
T.P.I.	SCALE	T.P.I.	SCALE	T.P.I.	SCALE
4	1-8	13	1-4	27	1-4
4½	$\frac{13}{24}$	13½	$\frac{13}{24}$	28	1-8
5	1-4	14	1-8	30	1-8
6	1-8	15	$\frac{13}{24}$	32	1-8
7	1-4	16	1-8	36	1-8
7½	$\frac{13}{24}$	18	1-8	40	1-8
8	1-8	19	1-4	44	1-8
9	1-4	20	1-8	48	1-8
10	1-8	22	1-8	54	1-8
11	1-4	23	1-4	56	1-8
1½	$\frac{13}{24}$	24	1-8	60	1-8
12	1-8	26	1-8	72	1-8

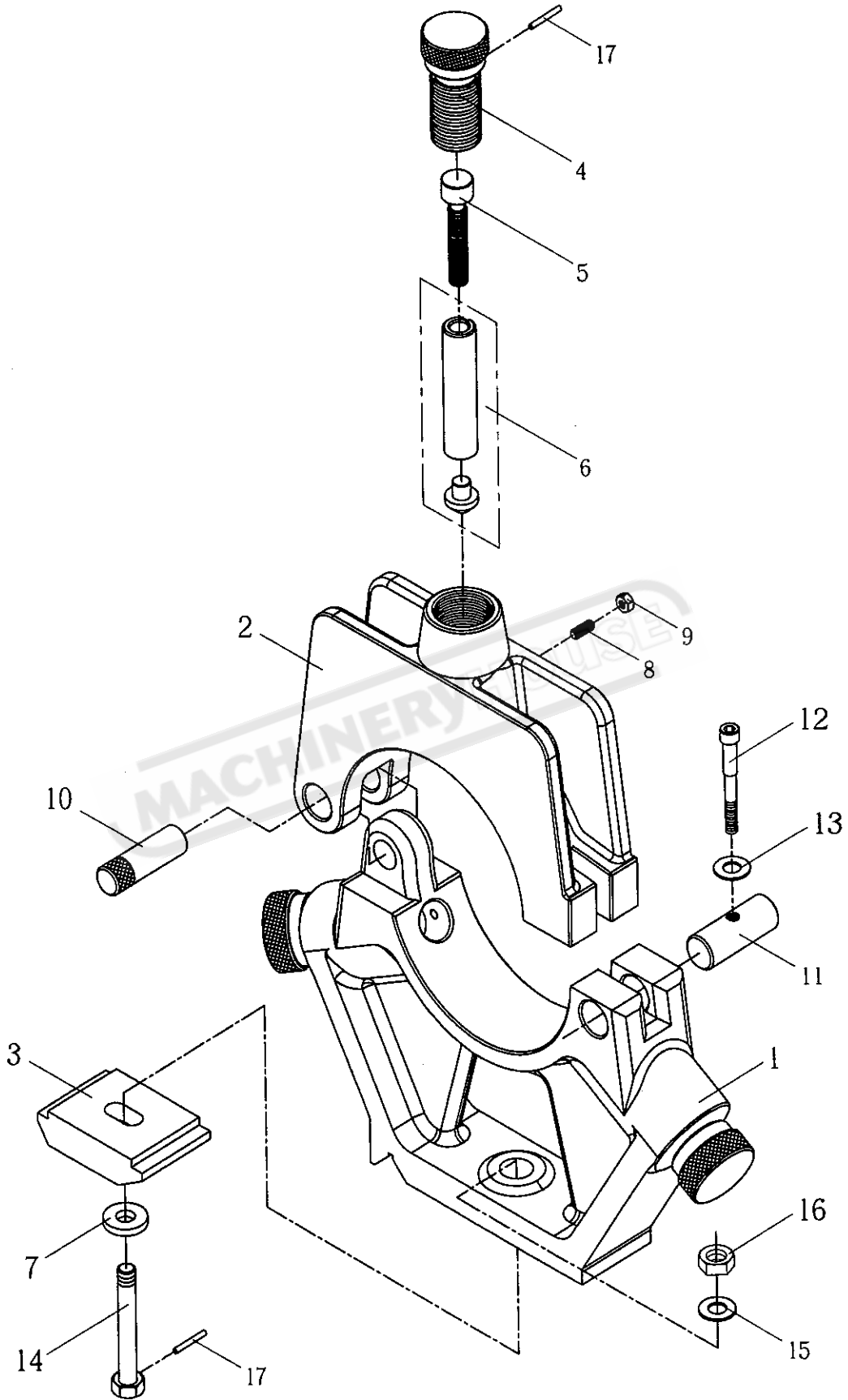
INDICATOR TABLE						
GEAR	PITCH					SCALE
13T	1	13	65	13		1
14T	0.4	0.5	0.7	1	1.4	$\frac{14}{25}$
	1.75	2	3.5	7	1.4	$\frac{36}{36}$
	0.8	4				1
18T	0.4	0.45	0.5	0.6	0.75	1-6
	0.9	1	1.2	1.5	2	
	3	4.5	6	9		
20T	0.8	4	12			1 3 5
	0.4	0.5	0.8	1	1.25	$\frac{14}{25}$
	2	2.5	4	5	10	$\frac{36}{36}$
22T	8					1
	0.4	0.5	1	1.1	2	$\frac{14}{25}$
	5.5	11				$\frac{36}{36}$
	0.8					1

## THREADING DIALS

<u>NO.</u>	<u>PART NO.</u>	<u>DESCRIPTION</u>	<u>QUANTITY</u>
1.	A-1231	Socket Head Cap Screw (M6x10)	1
2.	A-1901	Washer (M6)	1
3.	C-3076	Gear 16T (Imperial)	1
	C-3080	Gear 14T (Metric)	1
	C-3081	Gear 13T (Metric)	1
	C-3082	Gear 18T (Metric)	1
	C-3083	Gear 20T (Metric)	1
	C-3084	Gear 22T (Metric)	1
4.	A-4018	Pin (Φ3x15)	1
5.	T-8020	Bush	1
6.	A-1242	Socket Head Cap Screw (M8x60)	1
7.	T-8017-3	Guard	1
8.	A-2154	Bush	1
9.	T-8019	Stem	1
10.	NC-26	Index Plate (Imperial)	1
	NC-39	Index Plate (Metric)	1
11.	A-1526	Cross Recessed Head Screw (M4x6)	1

MACHINERYHOUSE

# STEADY REST (OPTIONAL)

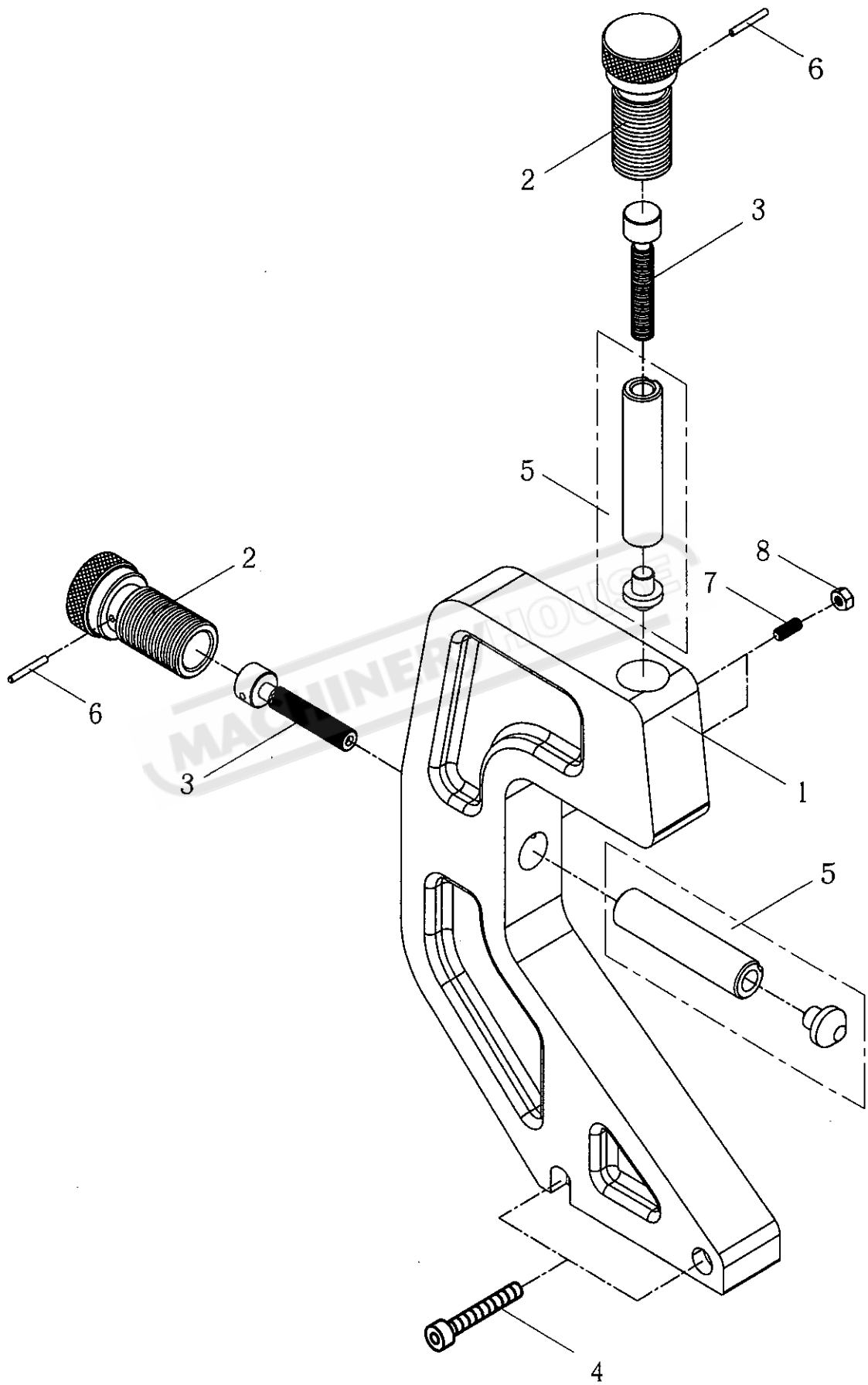


**STEADY REST (OPTIONAL)**

<b><u>NO.</u></b>	<b><u>PART NO.</u></b>	<b><u>DESCRIPTION</u></b>	<b><u>QUANTITY</u></b>
1.	T-9011	Bottom Body	1
2.	T-9010	Top Body	1
3.	T-6018	Clamp Plate	1
4.	T-9013	Fixture	3
5.	T-9014	Adjusting Screw	3
6.	ZA-2506-1	Finger with Pad	3
7.	C-6037	Washer	1
8.	A-1136	Socket Headless Set Screw (M8 x 25)	3
9.	A-1701	Nut (M8)	3
10.	T-9017-1	Pivot	1
11.	T-9017	Pivot	1
12.	A-1238	Socket Headless Set Screw (M10 x 55)	1
13.	A-1803	Washer (Φ3/8")	1
14.	A-1438	Hexagon Head Bolt (M16 x 100)	1
15.	A-1907	Washer (Φ16)	1
16.	A-1720	Nut (M16)	1
17.	A-4009	Pin	4

MACHINERYHOUSE

# FOLLOW REST (OPTIONAL)

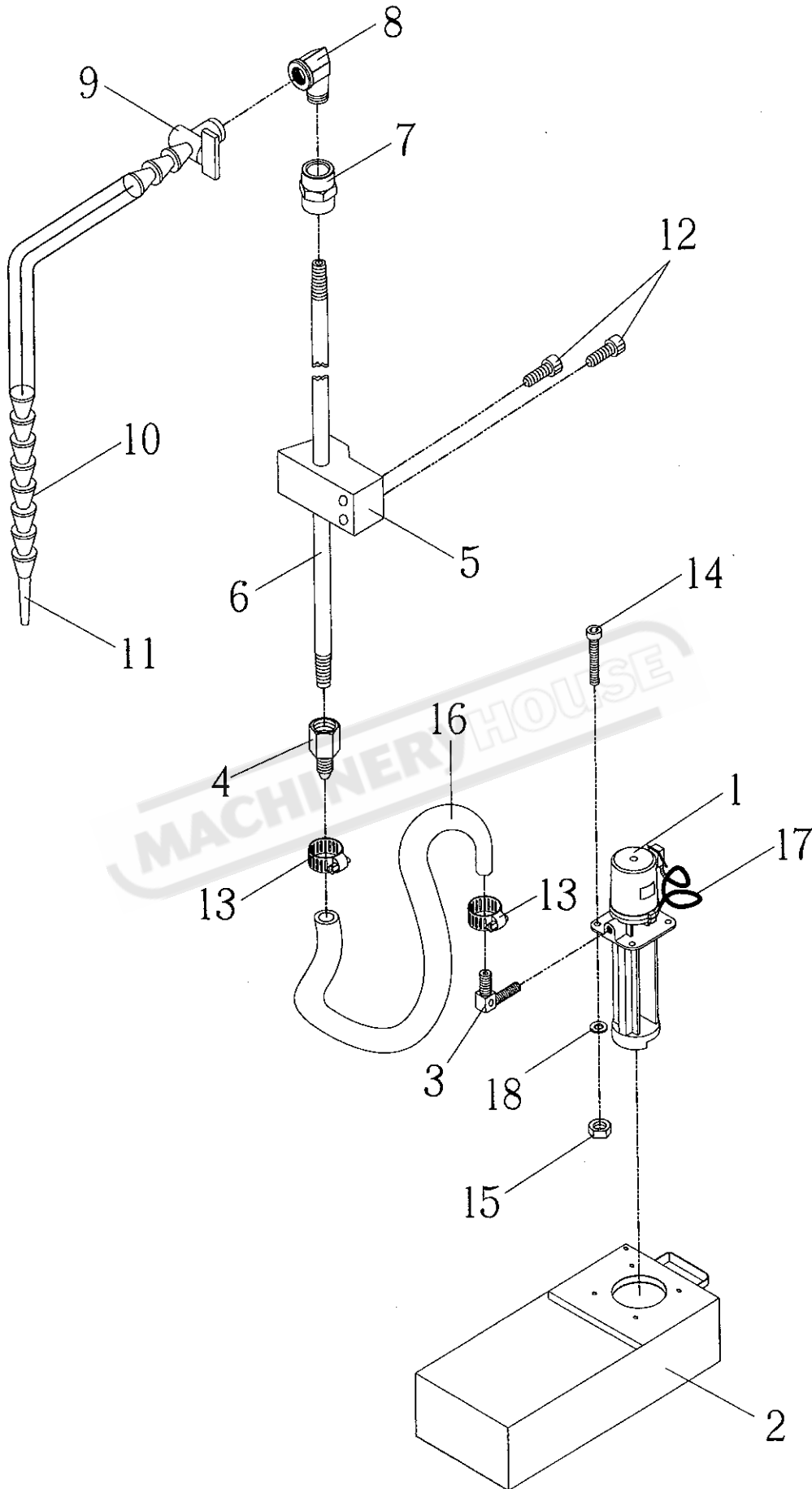


**FOLLOW REST (OPTIONAL)**

<b><u>NO.</u></b>	<b><u>PART NO.</u></b>	<b><u>DESCRIPTION</u></b>	<b><u>QUANTITY</u></b>
1.	T-9012	Body	1
2.	T-9013	Fixture	2
3.	T-9014	Adjusting Screw	2
4.	A-1216	Socket Head Cap Screw (M8 x40)	2
5.	ZA2506-1	Finger With Pad	2
6.	A-4009	Pin	2
7.	A-1136	Socket Headless Set Screw (M8 x 25 )	2
8.	A-1701	Nut (M8)	2

**MACHINERYHOUSE**

# COOLANT EQUIPMENT



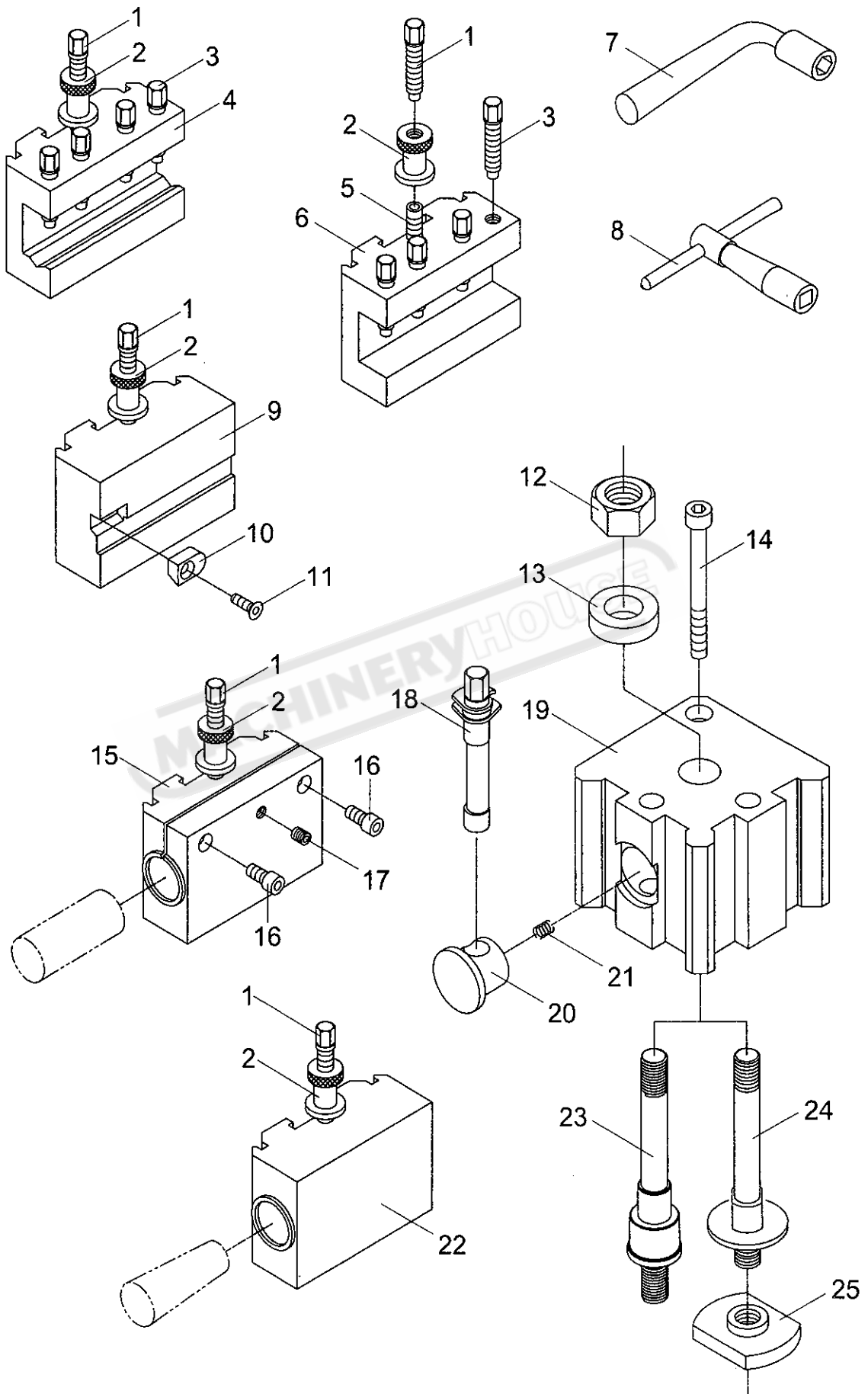


**COOLANT EQUIPMENT**

<u>NO.</u>	<u>PART NO.</u>	<u>DESCRIPTION</u>	<u>QUANTITY</u>
1.	Z1100	Pump	1
2.	T-7031	Coolant Tank	1
3.	A-4101	Outlet	1
4.	A-4105	Hose Sleeve	1
5.	J-4014	Pipe Bracket	1
6.	A-4106	Pipe	1
7.	A-4116	Socket	1
8.	A-4108	Elbow	1
9.	A-4107	Valve	1
10.	A-4117	Flexible Jointer	1
11.	A-4118	Nozzle	1
12.	A-1204	Socket Head Cap Screw (M6x20L)	2
13.	A-4111	Clamper (3/4")	2
14.	A-1205	Socket Head Cap Screw (M6x25L)	4
15.	A-1700	Nut (M6)	4
16.	A-4104	Hose	1
17.	A-4103	Electric Tubing	1
18.	A-1917	Washer (Φ6)	4

MACHINERYHOUSE

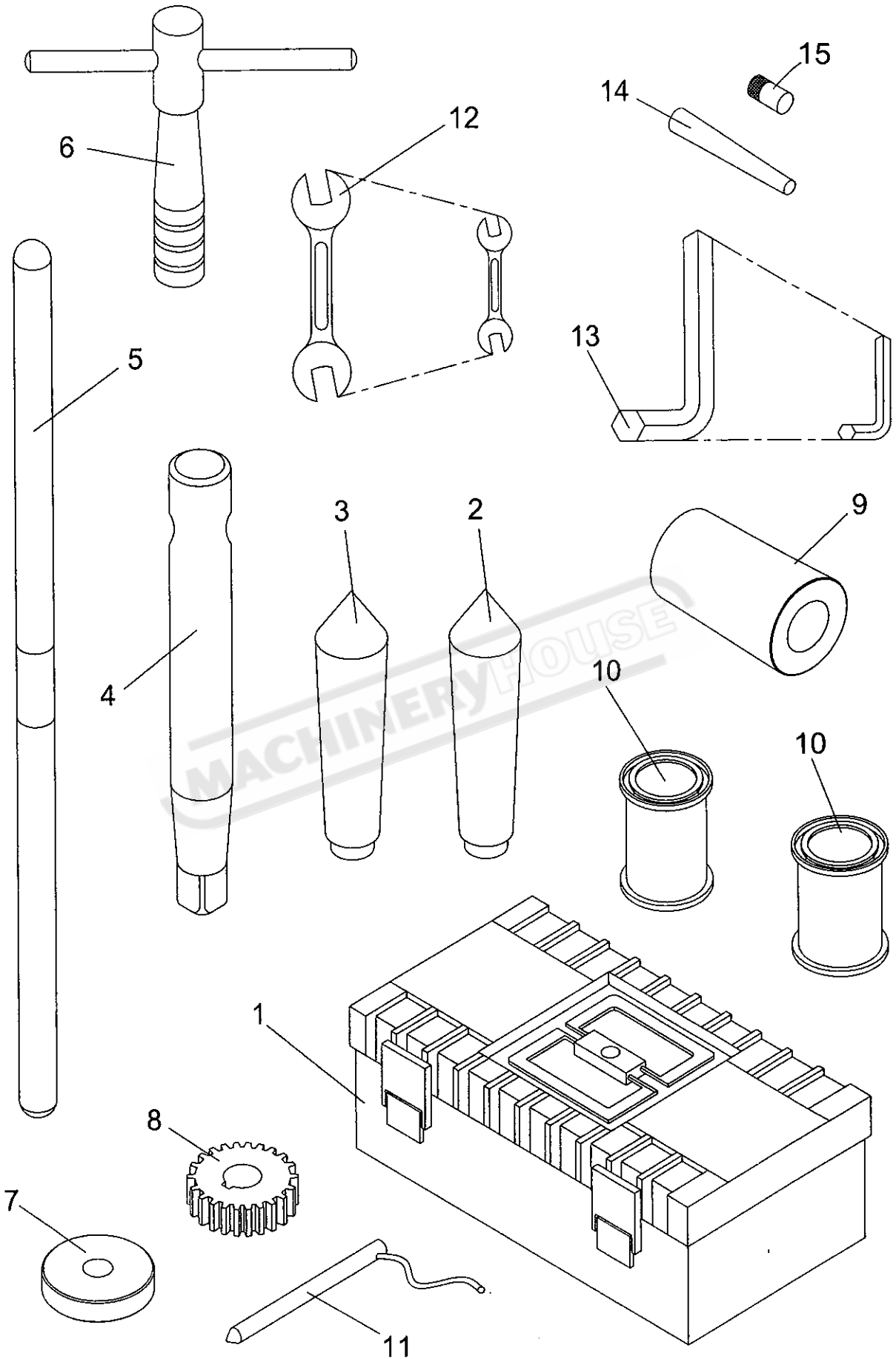
# QUICK CHANGE TOOLPOST



## QUICK CHANGE TOOLPOST

<u>NO.</u>	<u>PART NO.</u>	<u>DESCRIPTION</u>	<u>QUANTITY</u>
1.	C-9107	Height Adj. Screw (On Each Toolholder)	1
2.	C-9106	Adjusting Stop (On Each Toolholder)	1
3.	C-9107	Tool Clamp Screw (On No. :4/6Toolholder)	4
4.	C-9111	Boring (Vee) Toolholder	1
5.	A-1137	Socket Headless Set Screw (M10 x 35) (On Each Toolholder)	1
6.	C-9110	Standard Toolholder	1
7.	A-8528	Cam Wrench	1
8.	A-8529	Toolscrew Wrench	1
9.	C-9108	Part-off Toolholder	1
10.	C-9113	Blade Clamp	1
11.	A-1611	Socket Flat Head Screw (M6 x 20)	1
12.	A-1720	Nut (M16)	1
13.	R-3011	Washer	1
14.	A-1251	Socket Head Cap Screw (M10 x 75)	1
15.	C-9112	Plain Bore Toolholder	1
16.	A-1214	Socket Head Cap Screw (M8 x 25)	2
17.	A-1129	Socket Headless Set Screw (M8 x 20)	1
18.	C-9102	Toolholder Cams	2
19.	C-9100	Q.C.T. Body	1
20.	C-9103	Toolholder Pads	2
21.	A-8424	Spring	2
22.	C-9109	M.T.3 Taper Toolholder	1
23.	T-5012-1	Stud	1
24.	T-5012-2	T-Slot Stud	1
25.	T-5013	T-Slot Clamp	1

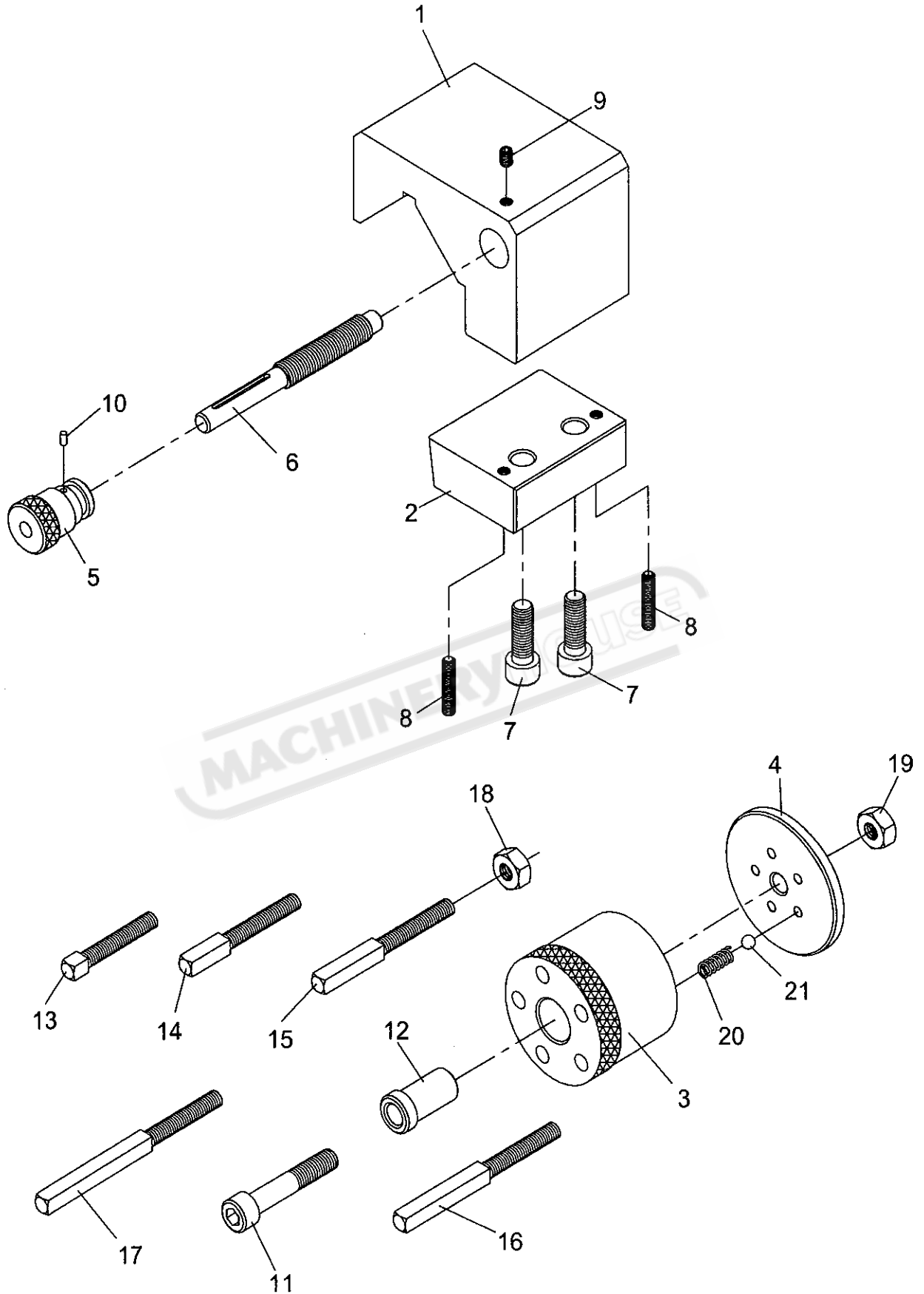
# SERVICE TOOLS & EQUIPMENT



## SERVICE TOOLS & EQUIPMENT

<u>NO.</u>	<u>PART NO.</u>	<u>DESCRIPTION</u>	<u>QUANTITY</u>
1.	A-4515	Tool Box	1
2.	A-4517	Tailstock Center (M.T.#3)	1
3.	A-4518	Headstock Center (M.T.#3)	1
4.	A-4519	Camlock Key	1
5.	A-4520	Key Handle	1
6.	A-4521	Toolscrew Wrench	1
7.	T-9086	Levelling Block	6
8.	T-8007-1	Gear 44T-(Metric Leadscrew)	1
	T-8007-2	Gear 48T-(Inch Leadscrew)	1
9.	T-9001	Center Sleeve (M.T.#5 x M.T.#3)	1
10.	A-4513	Touch Paint	2
11.	C-1098	Earth Bar With Cable (VS Model)	1
12.	A-4507-1	Spanner (22 x 24)	1
	A-4507-2	Spanner (17 x 19)	1
	A-4507-3	Spanner (12 x 14)	1
	A-4507-4	Spanner (11 x 13)	1
13.	A-4508-1	Allen Key (3mm)	1
	A-4508-2	Allen Key (4mm)	1
	A-4508-3	Allen Key (5mm)	1
	A-4508-4	Allen Key (6mm)	1
	A-4508-5	Allen Key (8mm)	1
	A-4508-6	Allen Key (10mm)	1
14.	C-1145	Taper Pin	6
15.	C-2048-1	Shear Pin	2

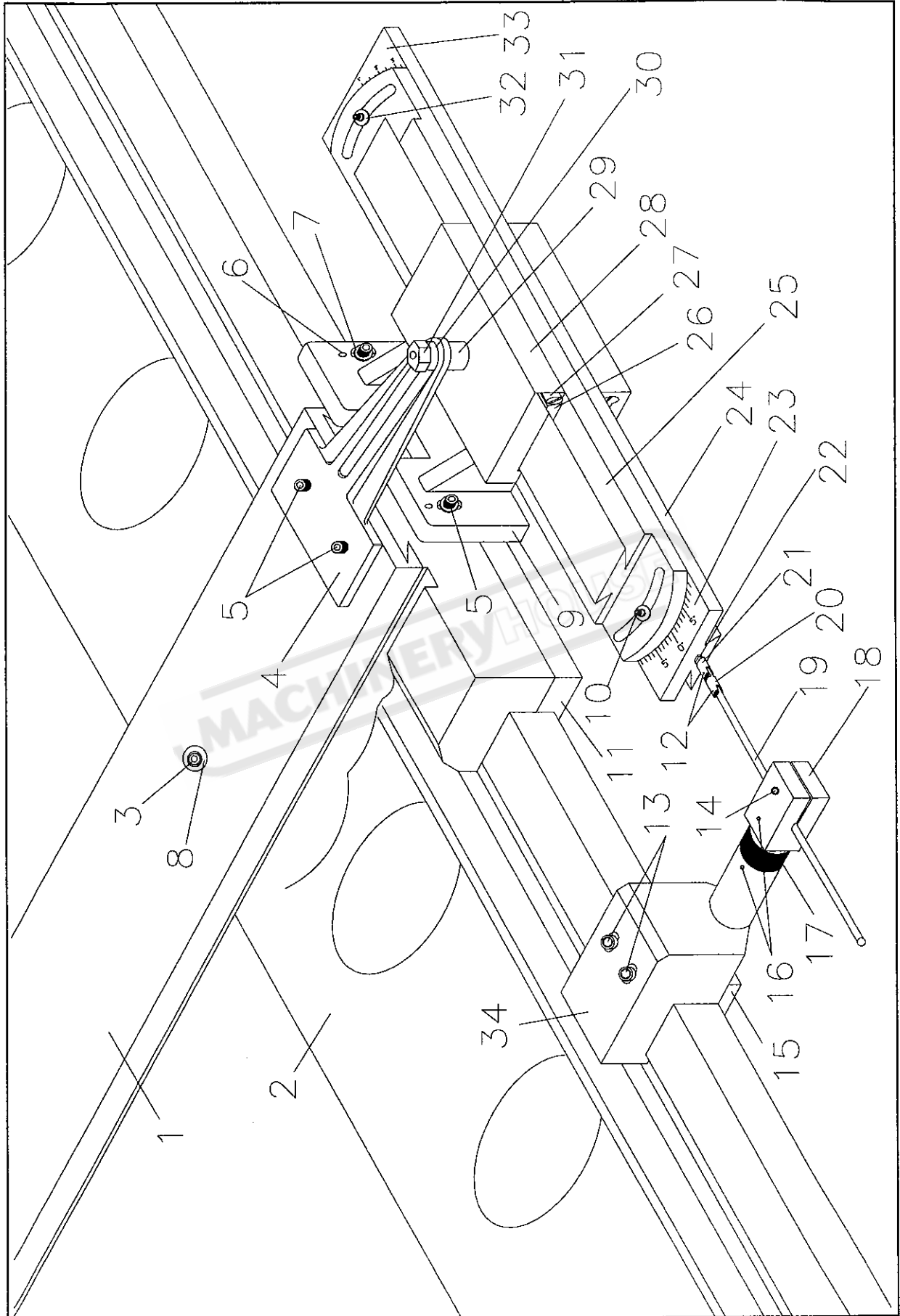
# BEDSTOPS (OPTIONAL)



**BEDSTOPS (OPTIONAL)**

<u>NO.</u>	<u>PART NO.</u>	<u>DESCRIPTION</u>	<u>QUANTITY</u>
1.	T-9040	Body	1
2.	T-9043	Clamp	1
3.	T-9046	Turret	1
4.	T-9047	Backplate	1
5.	T-9042	Micrometer Dial	1
6.	T-9041	Spindle	1
7.	A-1213	Socket Head Cap Screw (M8 x 20)	2
8.	A-1103	Socket Headless Set Screw (M6 x 16)	2
9.	A-1139	Socket Headless Set Screw (M6 x 8)	1
10.	A-4023	Pin	1
11.	A-1259	Socket Head Cap Screw (3/8" x 2 1/2" )	1
12.	T-9048	Bush	1
13.	C-9056-1	Stop Screw (43L)	1
14.	C-9056-2	Stop Screw (58L)	1
15.	C-9056-3	Stop Screw (73L)	1
16.	C-9056-4	Stop Screw (88L)	1
17.	C-9056-5	Stop Screw (103L)	1
18.	A-1707	Nut (5/16")	5
19.	A-1708	Nut (3/8")	1
20.	A-8519	Spring	1
21.	A-9202	Ball (Φ1/4")	1

### TAPER TURNING ATTACHMENT (OPTIONAL)

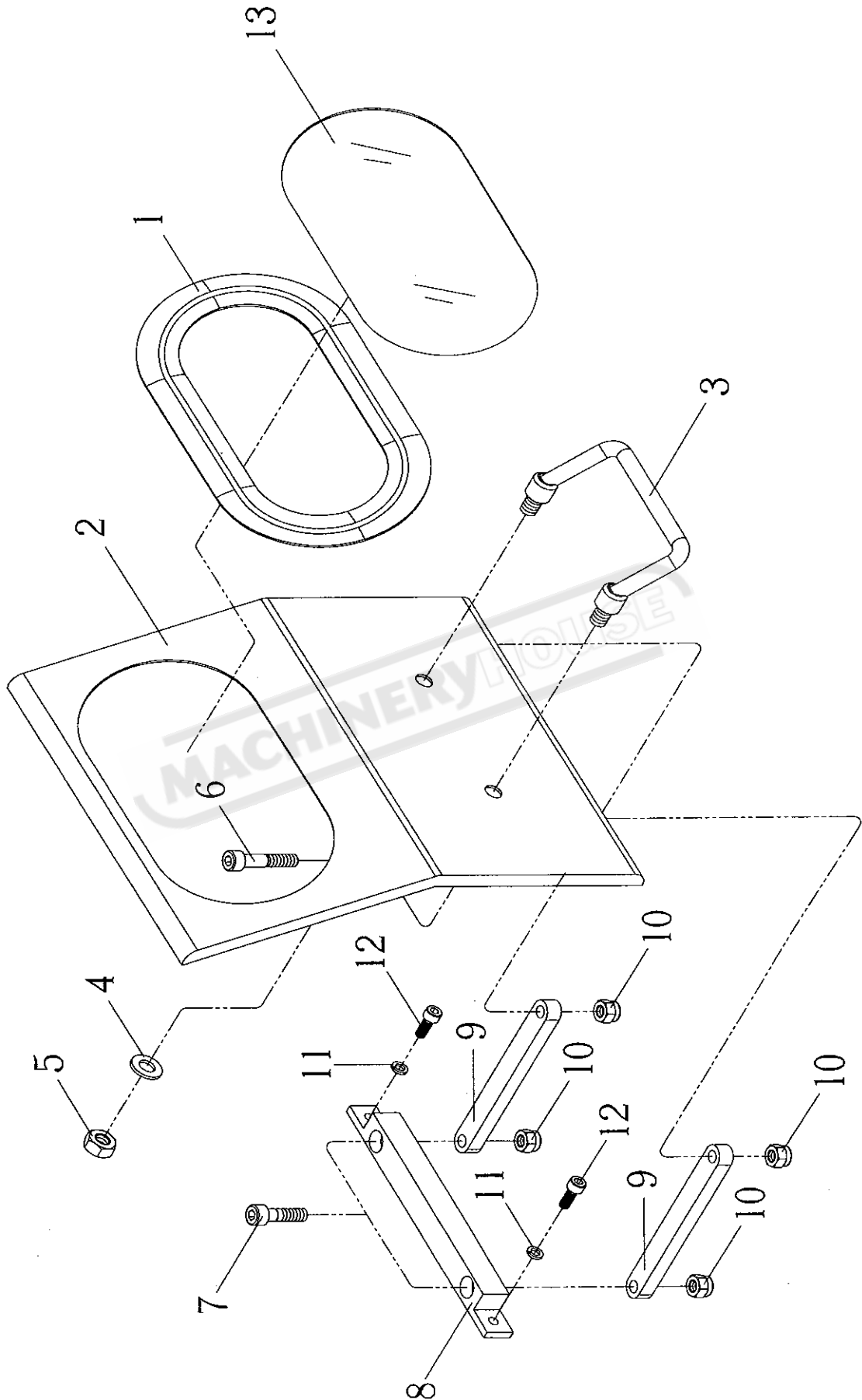




## TAPER TURNING ATTACHMENT (OPTIONAL)

<u>NO.</u>	<u>PART NO.</u>	<u>DESCRIPTION</u>	<u>QUANTITY</u>
1.	T-4002	Cross Slide	1
2.	T-7001	Bed	1
3.	A-1212	Socket Head Cap Screw (M8 x 16)	1
4.	R-9096	Guide Plate	1
5.	A-1215	Socket Head Cap Screw (M8 x 30)	4
6.	A-4005	Pin (5 x 20)	2
7.	A-1802	Spring Washer	2
8.	T-4018	Bush	1
9.	T-9055	Bracket	1
10.	A-1222	Socket Head Cap Screw (M10 x 35)	2
11.	C-4020-1	Rear Strip	1
12.	A-4005	Pin (5 x 20)	2
13.	A-1216	Socket Head Cap Screw (M8 x 40)	2
14.	A-1213	Socket Head Cap Screw (M8 x 10)	1
15.	T-9063	Strip	1
16.	A-1127	Socket Headless Set Screw (M8 x 10)	2
17.	R-9098	Connector	1
18.	R-9099	Holder	1
19.	R-9101	Draw Bar	1
20.	R-9106	Jointer	1
21.	R-9107	Jointer	1
22.	A-1706	Nut (M10)	1
23.	NT-49	Graduated Plate	1
24.	T-9056	Frame	1
25.	T-9057	Swivel Guide	1
26.	T-9059	Taper Gib	2
27.	R-5010	Adjusting Screw	2
28.	T-9058	Taper Slide	1
29.	T-9060	Pivot	1
30.	R-9097-1	Bush	1
31.	A-1714	Nut	1
32.	A-1807	Washer (Φ10)	2
33.	NT-50	Graduated Plate	1
34.	T-9062	Clamp	1

# FOLLOWING CHIP GUARD (OPTIONAL)

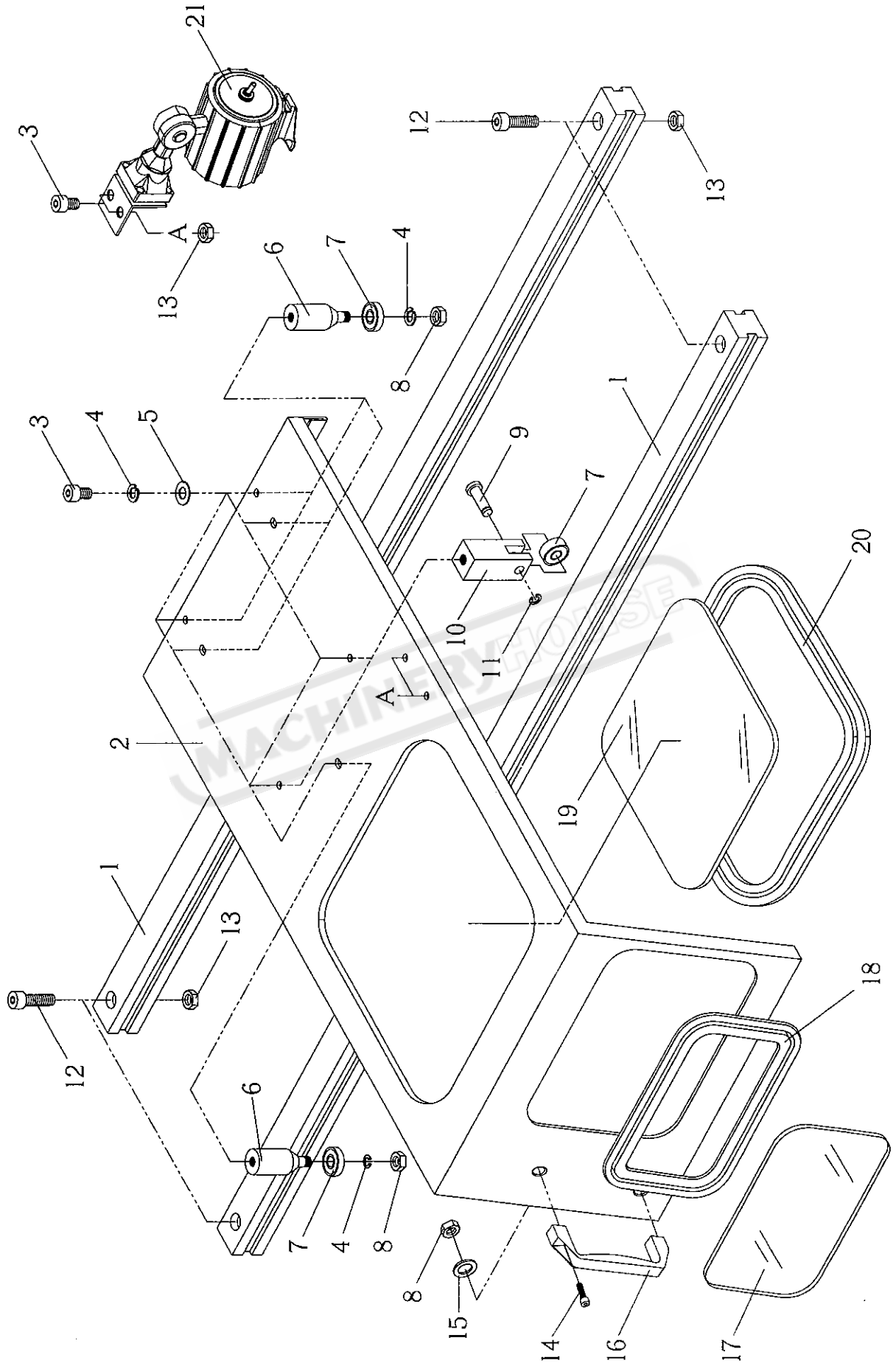


**FOLLOWING CHIP GUARD (OPTIONAL)**

<u>NO.</u>	<u>PART NO.</u>	<u>DESCRIPTION</u>	<u>QUANTITY</u>
1.	A-9118	Strap	1
2.	R-5031	Chip Guard	1
3.	A-9117	Handle	1
4.	A-1807	Washer ( $\Phi$ 10)	2
5.	A-1702	Nut (M10)	2
6.	A-1216	Socket Head Cap Screw (M8 x 40)	2
7.	A-1215	Socket Head Cap Screw (M8 x 30)	2
8.	R-5028	Frame	1
9.	R-5030	Swivel Arm	2
10.	A-1743	Locking Nut (M8)	4
11.	A-1801	Washer ( $\Phi$ 1/4")	2
12.	A-1203	Socket Head Cap Screw (M6 x 16)	2
13.	A-9121	Window	1

MACHINERYHOUSE

# FULL LENGTH SLIDING CHIP SAFETY GUARD (OPTIONAL)



## FULL LENGTH SLIDING CHIP SAFETY GUARD (OPTIONAL)

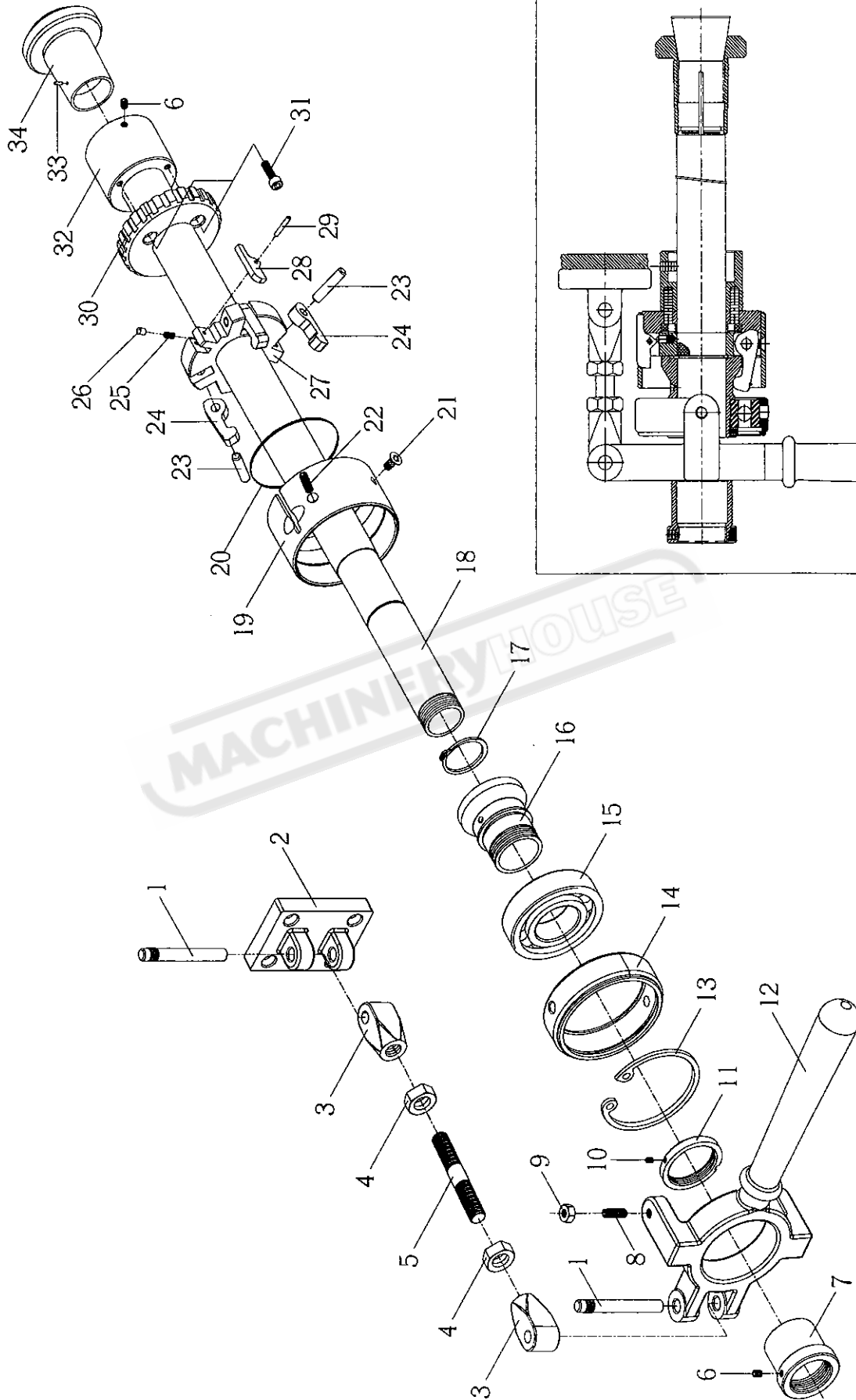
<u>NO.</u>	<u>PART NO.</u>	<u>DESCRIPTION</u>	<u>QUANTITY</u>
1.	T-8033	Guidance	2
2.	T-8039	Chip Safety Guard	1
3.	A-1203	Socket Head Cap Screw (M6 x 16)	9
4.	A-1802	Spring Washer (Φ8)	12
5.	A-1917	Washer (Φ6)	7
6.	C-8116	Pivot	5
7.	A-2044	Bearing#608ZZ	7
8.	A-1701	Nut (M8)	3
9.	M-8022	Pivot	2
10.	C-8115	Guide Block	2
11.	A-3101	Circlip (E6)	2
12.	A-1208	Socket Head Cap Screw (M6 x 40)	4
13.	A-1700	Nut (M6)	6
14.	A-1211	Socket Head Cap Screw (M8 x 12)	2
15.	A-1918	Washer (Φ8)	2
16.	A-9124	Handle	1
17.	A-9126	Window	1
18.	A-9127	Strap	1
19.	A-9128	Window	1
20.	A-9129	Strap	1
21.	ZA2702	Halogen Lamp (Optional)	1
	ZA2701	Halogen Lamp (Long Arm / Optional)	1



## CHUCK SAFETY GUARD (OPTIONAL)

<u>NO.</u>	<u>PART NO.</u>	<u>DESCRIPTION</u>	<u>QUANTITY</u>
1.	A-1509	Button Head Cap Screw (M5 x 10)	4
2.	A-1813	Spring Washer ( $\Phi 5$ )	6
3.	A-1909	Washer ( $\Phi 5$ )	4
4.	A-1148	Socket Headless Set Screw (M8 x 30)	1
5.	A-1812	Spring Washer ( $\Phi 1/4$ "	4
6.	A-1917	Washer ( $\Phi 6$ )	4
7.	A-1205	Socket Head Cap Screw (M6 x 25)	4
8.	A-1701	Nut (M8)	1
9.	C-8142	Switch Cover	1
10.	T-8040	Seat	1
11.	C-8141	Switch Box	1
12.	A-1234	Socket Head Cap Screw (M5 x 10)	1
13.	T-8052	Shaft	1
14.	A-1525	Button Head Cap Screw (M6 x 16)	4
15.	A-1102	Socket Headless Set Screw (M6 x 12)	2
16.	A-9130	Window	1
17.	A-9131	Strap	1
18.	T-8053	Chuck Safety Guard	1
19.	C-8139	Supporter	2
20.	A-1101	Socket Headless Set Screw (M6 x 10)	2
21.	C-8138-1	Limit Dog	1

### 5C COLLECT ATTACHMENT (OPTIONAL)



MACHINERYHOUSE



## 5C COLLECT ATTACHMENT (OPTIONAL)

<u>NO.</u>	<u>PART NO.</u>	<u>DESCRIPTION</u>	<u>QUANTITY</u>
1.	R-9077	Pivot	2
2.	R-9080	Bracket	1
3.	R-9078	Jointer	2
4.	A-1713	Nut (1/2" UNF)	2
5.	R-9079	Stud	1
6.	A-1100	Socket Headless Set Screw (M6 x 6)	4
7.	R-9066	Bushing	1
8.	A-1148	Socket Headless Set Screw (M8 x 30)	2
9.	A-1701	Nut (M8)	2
10.	A-1146	Socket Headless Set Screw (M5 x 5)	1
11.	R-9064	Locking Nut	1
12.	R-9061	Hand Lever	1
13.	A-3211	Circlip (R80)	1
14.	R-9062	Locking Ring	1
15.	A-2120	Bearing (6208ZZ)	1
16.	R-9063	Sleeve	1
17.	A-3313	Circlip (S32)	1
18.	T-9099	Draw Bar	1
19.	R-9068	Collet Sleeve	1
20.	A-8224	Spring	1
21.	A-1609	Flat Head Cap Screw (M5 x 12)	2
22.	A-1131	Socket Headless Set Screw (M6 x 25)	1
23.	R-9071	Pin	3
24.	R-9070	Latch	3
25.	A-8225	Spring (Φ3/16 ")	1
26.	R-9074	Position Pin	1
27.	R-9069	Chuck Assembly	1
28.	R-9072	Fork	1
29.	R-9073	Pin	1
30.	R-9075	Chuck	1
31.	A-1204	Socket Head Cap Screw (M6 x 20)	3
32.	T-9100	Adapter	1
33.	A-4023	Pin (Φ3 x 6)	1
34.	T-9085	Collet (Per Size)	1